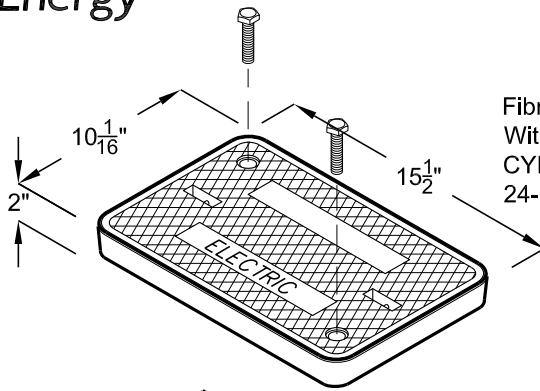


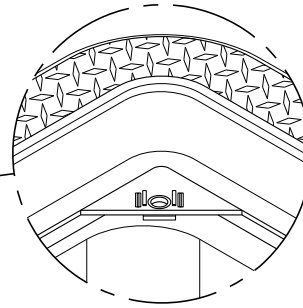
# HN1017 ELECTRICAL BOX

**10"x17"x12"**  
**(NOMINAL INSIDE DIMENSIONS)**

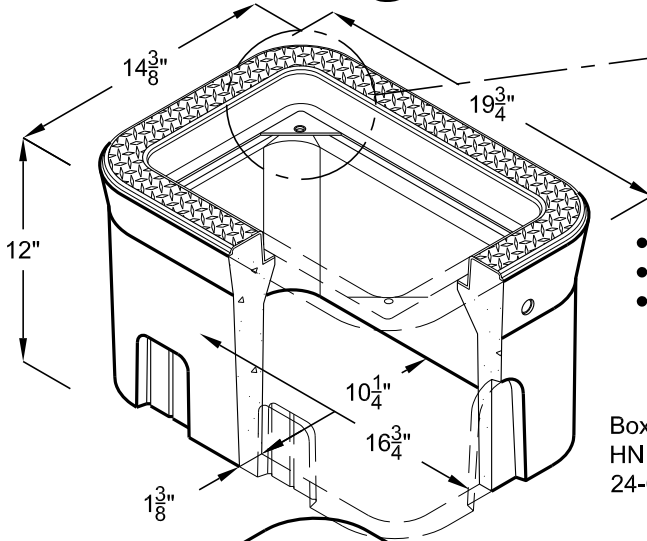
MEETS NV ENERGY SPECS.  
DRAWING NO. VB0050 U



Fibrelyte® Lid  
With Hold Down Bolts  
CYFL9TELE  
24-1182

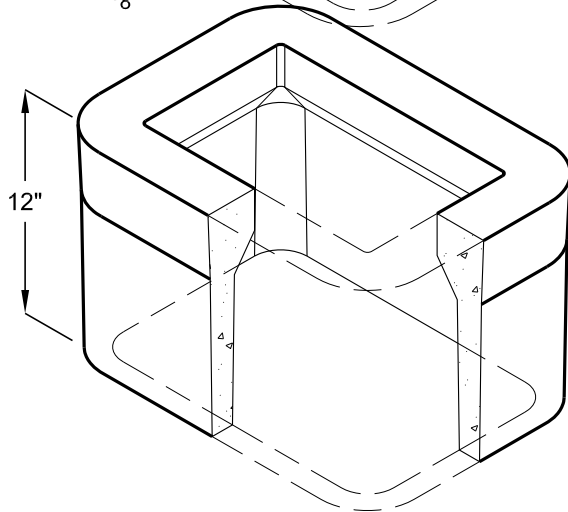


Direct Bolt Down Brackets  
Standard. Snap In Place  
Clips And Nuts Pre-installed.



- Etched Polypropylene Face
- Face Anchored in Concrete
- Ultra-Violet Inhibitor

Box  
HN1017-B  
24-0020



Extension  
HN1017-E  
24-0470

STOCK NO.	PART NO.	PRODUCT	DESCRIPTION	APPROX. WEIGHT	QTY. PER PALLET
24-0020	HN1017-B	BOX	10"x17"x12" Reinforced Concrete Non-Traffic Box	112	20
24-0470	HN1017-E	EXTENSION	10"x17"x12" Reinforced Concrete Extension	112	20
24-1182	CYFL9TELE	LID A	Fibrelyte® Lid With Hold Down Bolts	21	