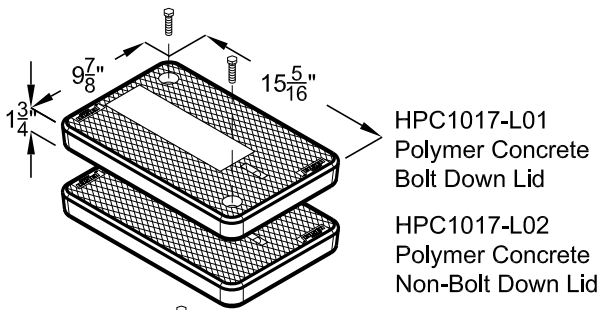


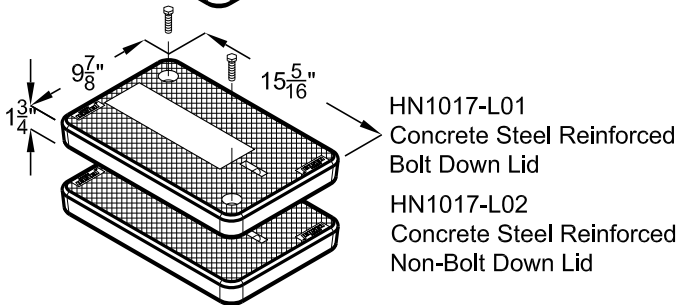
HN1017 ELECTRICAL BOX

Compare to:
Christy® N09
Brooks Products® #36



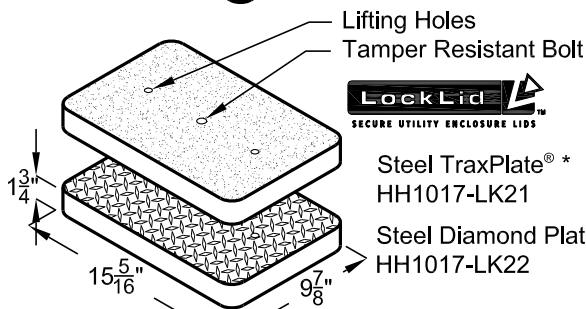
HPC1017-L01
Polymer Concrete
Bolt Down Lid

HPC1017-L02
Polymer Concrete
Non-Bolt Down Lid



HN1017-L01
Concrete Steel Reinforced
Bolt Down Lid

HN1017-L02
Concrete Steel Reinforced
Non-Bolt Down Lid

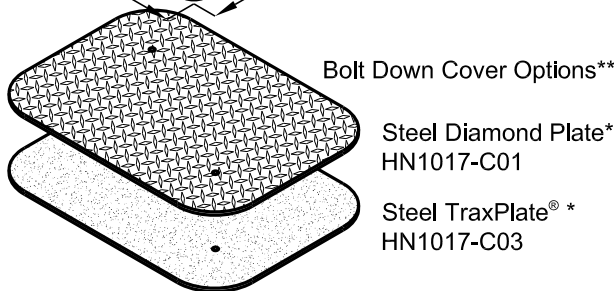


Lifting Holes
Tamper Resistant Bolt



Steel TraxPlate® *
HH1017-LK21

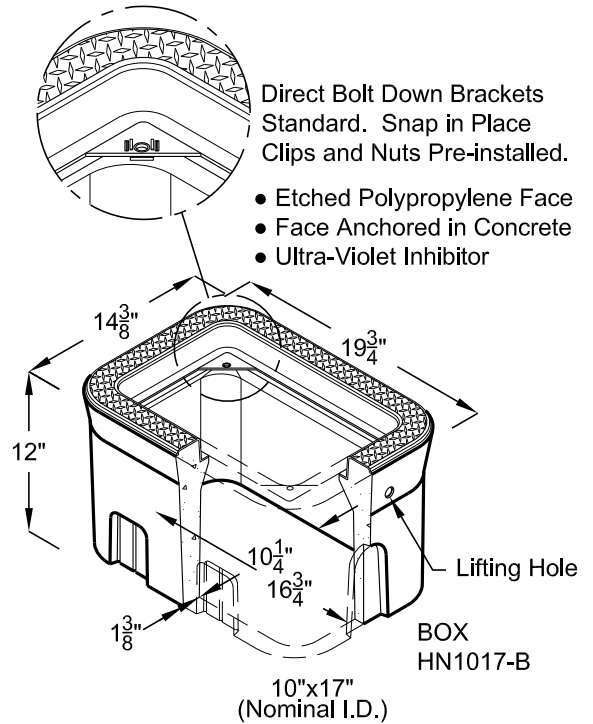
Steel Diamond Plate*
HH1017-LK22



Bolt Down Cover Options**

Steel Diamond Plate*
HN1017-C01

Steel TraxPlate® *
HN1017-C03



Direct Bolt Down Brackets
Standard. Snap in Place
Clips and Nuts Pre-installed.

- Etched Polypropylene Face
- Face Anchored in Concrete
- Ultra-Violet Inhibitor

BOX
HN1017-B

PART NO.	PRODUCT	DESCRIPTION	APPROX. WEIGHT	QTY. PER PALLET
HN1017-B	BOX	10"x17"x12" Reinforced Concrete Non-Traffic Box	112	28
HN1017-E	EXTENSION	10"x17"x12" Reinforced Concrete Extension	112	28
HN1017-C01	COVER	Steel Diamond Plate Bolt Down Cover	23	
HN1017-C03	COVER	Steel Traxplate® Slip Resistant Bolt Down Cover	23	
HN1017-C05	COVER	Aluminum Traxplate® Slip Resistant Bolt Down Cover	13	
HN1017-L01	LID	Concrete Steel Reinforced Bolt Down Lid	21	
HN1017-L02	LID	Concrete Steel Reinforced Non-Bolt Down Lid	21	
HH1017-LK21	LID	LockLid™ K-Series Steel TraxPlate® Slip Resistant Non-Traffic *** (Order keys and Lifting Picks separately)	23	
HH1017-LK22	LID	LockLid™ K-Series Aluminum TraxPlate® Slip Resistant Non-Traffic*** (Order keys and Lifting Picks separately)	16	
HPC1017-L01	LID	Polymer Concrete Bolt Down Lid	18	
HPC1017-L02	LID	Polymer Concrete Non-Bolt Down Lid	18	

Bolts sold separately for bolt down lids and covers. See hardware sheet for options.
Galvanizing available on all steel covers and lids.

* Also available in aluminum

** Also available in non-bolt down

*** Also available in diamond plate

JENSEN®, JENSEN PRECAST®, TRAXPLATE®, and LOCKLID™ are trademarks owned by Jensen Enterprises.
All other trademarks are the property of their respective owners.
Jensen Precast reserves the right to make changes to product design and/or dimensions without notice.
Please contact Jensen Precast whenever necessary for confirmation or advice on product design.

JENSEN®
PRECAST EST. 1968