

4'-0" x 6'-6" PASADENA VAULT COVER NECKING

NOTES:

NECK IS DESIGNED IN ACCORDANCE WITH AASHTO H20-44 TRAFFIC BRIDGE LOADING. REFER TO CALC NO. 317/61 FOR STRUCTURAL DESIGN.

THE FOLLOWING MATERIALS WILL BE USED IN FABRICATION:

- CONCRETE WITH A 28-DAY COMPRESSIVE STRENGTH OF 5,500 psi [37.9 MPa].
- ASTM A-706 Gr.60 STEEL REINFORCEMENT WITH A 60,000 psi [413 MPa] YIELD STRENGTH.
- CAST-IRON COVER IS DESIGNED FOR TRAFFIC LOADING CONDITIONS.

STRUCTURE SHALL BE STENCILED, "JENSEN PRECAST", THE DESIGNATION "PWP", WITH "DATE OF POUR" ON INTERIOR AND EXTERIOR OF WALLS.

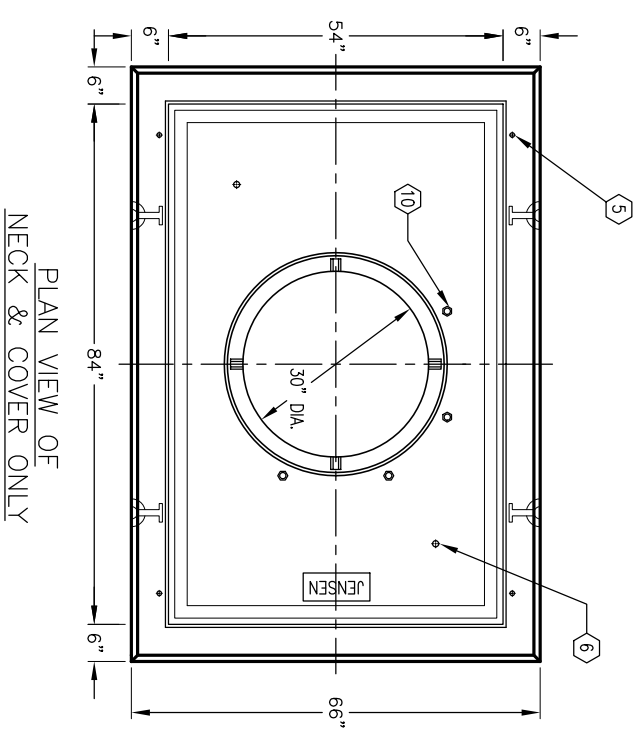
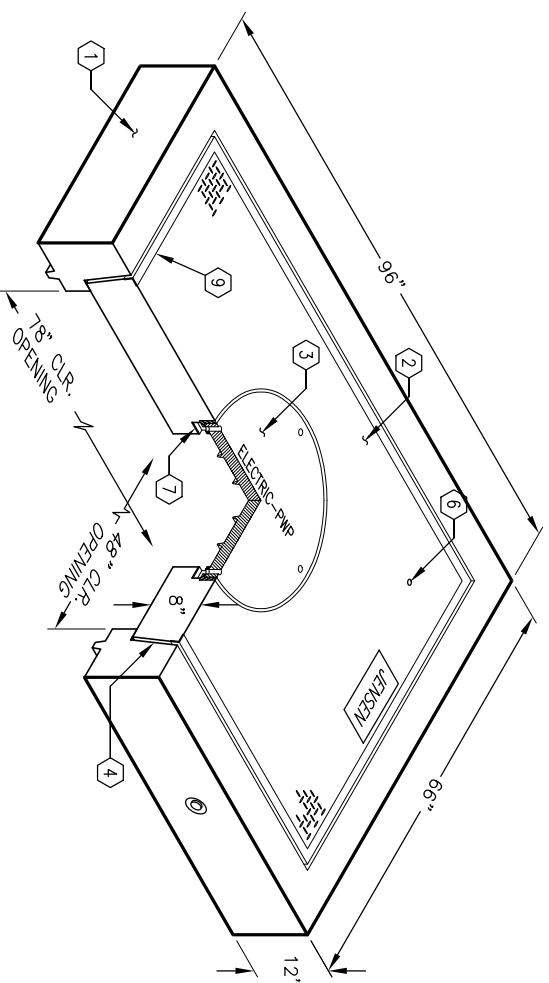
7/8"x1 3/4" CONSEAL GASKET (45 FT. REQ'D) WILL BE SHIPPED WITH EACH HANDHOLE.

DRAWING NOTES:

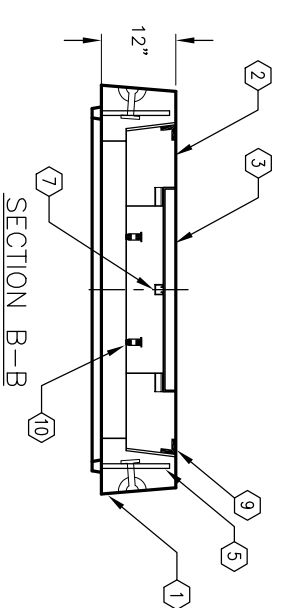
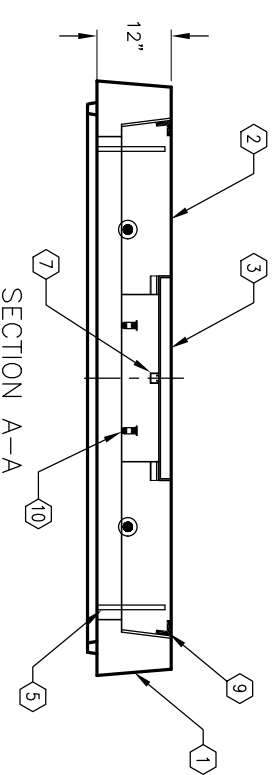
1. VN466-N12-20, 12" NECK SECTION, WT. 2,700 Lbs.
2. VN466-T8-20 8" COVER SECTION W/ CAST-IN A-1106 30" DIA. RING FRAME. SURFACE TO BE DIAMOND PLATE IMPRINT. WT. 2240 lbs.
3. A-1106 (04-30-13) 30" DIAMETER, ALHAMBRA FOUNDRY COVER MARKED "ELECTRIC PWP". WT. 290 lbs.
4. 3/8"x8" EXPANDED FELT.
5. 3/4" COIL THREADED ADJUSTING BOLT HOLE x 11" LONG. LOCATE AS FOLLOWS: NECK SECTION (4) TOUNGE FORMER MTD.
6. 1" DIAMETER THRU HOLE. LOCATE AS FOLLOWS: COVER SECTION (2) TABLE MTD. OPPOSITE CORNERS W/ NEOPRENE PLUGS.
7. CLEAN OUT HOLES.
8. LOCATE AS FOLLOWS: COVER SECTION (4) FRAME MTD. F466-VN, 1" x 1" x 1/8" ANGLE FRAME, CAST INTO PERIMETER OF VN466-T8-20.
9. 1/2" DIA. PLASTIC INSERTS (4) SURFACE MTD.
- 10.

ORDERING INFORMATION:

K466-VN12-20 FOR ASSEMBLY AS SHOWN.
TOTAL WEIGHT OF ASSEMBLY IS 5,620 lbs.



PLAN VIEW OF
NECK & COVER ONLY



#	DATE	DESCRIPTION	BY