

4'-0" x 5'-0" COLTON TRAFFIC VAULT NECK WITH CONCRETE COVER

NOTES:

DESIGNED IN ACCORDANCE WITH AASHTO H-20-44 TRAFFIC LOADING USING 5,500 P.S.I. COMPRESSIVE STRENGTH CONCRETE AND 60,000 P.S.I. YIELD STRENGTH GRADE 60 A-706 STEEL REINFORCEMENT PER CALCS. # 31635.

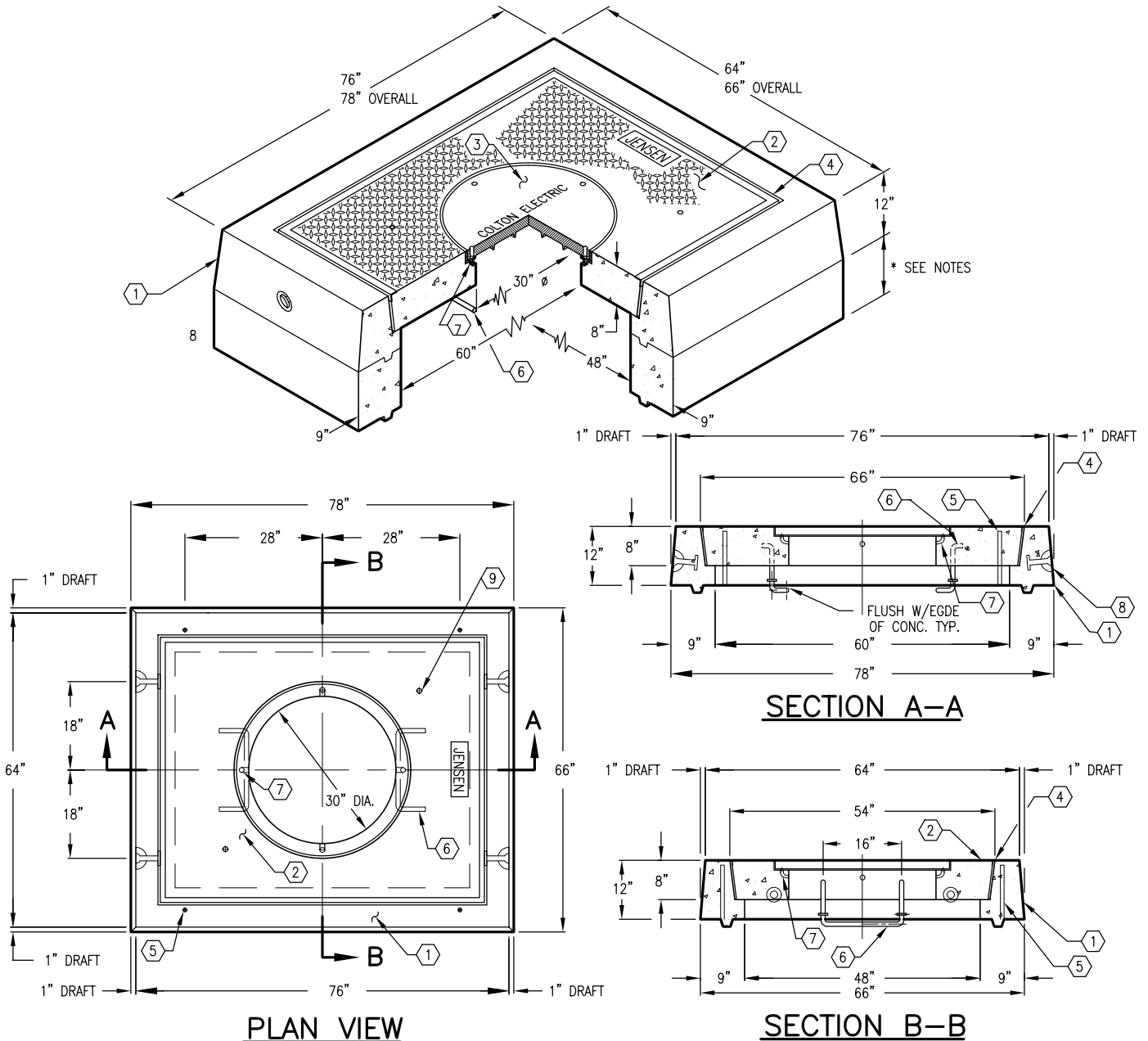
1. VN45-N12-11, 12" NECK SECTION. WT. 1,949 Lbs.
2. VN45-T8-18, 8" COVER SECTION W/CAST-IN A-1106 30" dia. RING. SURFACE TO BE DIAMOND PLATE IMPRINT. WT. 1,984 Lbs.
3. A-1106, 30" DIAMETER CAST IRON COVER MARKED "COLTON ELECTRIC". WT. 290 Lbs.
4. 3/8" x 8" EXPANDED FELT.
5. 3/4" COIL THREADED ADJUSTING BOLT HOLE x 10 1/2" LONG, NECK SECTION (4) TONGUE FORMER MTD.
6. 3/4" DIAMETER GALVANIZED STRESS RELIEVED LADDER RUNG WITH (2) 1/4" THICK x 2 O.D. WASHERS, COVER SECTION (2) SURFACE MTD.
7. BOLT HOLE CLEAN OUTS (4 PLACES).
9. 1" DIAMETER THRU HOLE. LOCATE AS FOLLOWS: COVER SECTION (2) TABLE MTD. INSTALL 2 RUBBER PLUGS.

EXTENSION ARE AVAILABLE IN THE FOLLOWING SIZES:

- A) VN45-R6, 6" RISER SECTION (345-1834-1). WT. 1,200 Lbs.
- B) VN45-R12, 12" RISER SECTION (345-1834-3). WT. 2,400 Lbs.

ORDERING INFORMATION:

K45-VN12-18T FOR ASSEMBLY AS SHOWN.
 APPROVED FOR CITY OF COLTON SPEC.
 TOTAL WEIGHT FOR ASSEMBLY AS SHOWN IS 4,223 Lbs.



AUTOCAD REL. 14

#	DATE	DESCRIPTION	BY

K45-VN12-18T
 PER CITY OF COLTON SPEC 03-01-02