

4'-0" x 5'-0" ANAHEIM TRAFFIC VAULT NECK WITH CONCRETE COVER

NOTES:

■ DESIGNED IN ACCORDANCE WITH AASHTO H-20-44 TRAFFIC LOADING USING 5,500 PSI [37.92MPa] COMPRESSIVE STRENGTH CONCRETE AND 60,000 PSI [413.2MPa] YIELD STRENGTH GRADE 60 A-706 STEEL REINFORCEMENT PER CALCS. #31599.

■ COVER DESIGNED FOR AASHTO H-20-44 TRAFFIC LOADING.

■ EACH CONCRETE SECTION SHALL BE MARKED ON THE INSIDE & OUTSIDE WITH "JENSEN PRECAST".

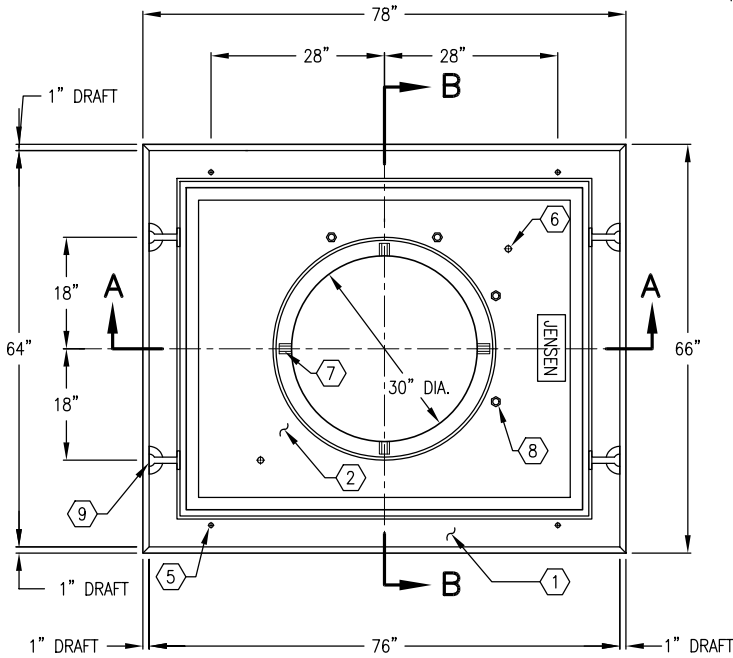
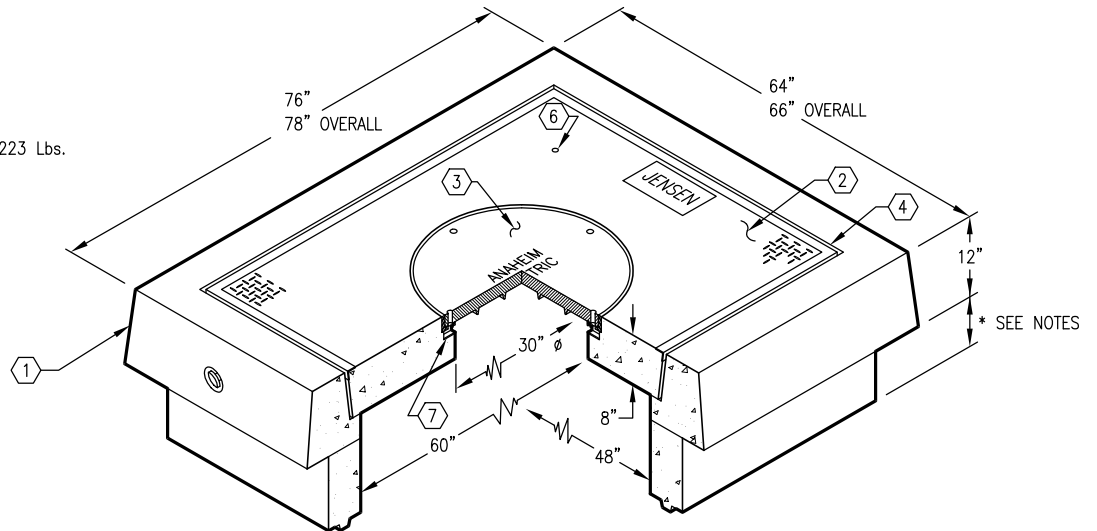
1. VN45-N12-11, 12" NECK SECTION. WT. 1,949 Lbs.
2. VN45-T8-16, 8" COVER SECTION W/CAST-IN A-1106 RING (05-30-01), SURFACE TO BE DIAMOND PLATE IMPRINT. WT. 1,984 Lbs.
3. A-1106, 30" DIAMETER ALHAMBRA FOUNDRY COVER (04-30-02) MARKED "ANAHEIM ELECTRIC". WT. 290 Lbs.
4. 3/8" x 8" EXPANDED FELT.
5. 3/4" COIL THREADED ADJUSTING BOLT HOLE x 11" LONG. LOCATE AS FOLLOWS: NECK SECTION (4) TONGUE FORMER MTD.
6. 1" DIAMETER THRU HOLE. LOCATE AS FOLLOWS: COVER SECTION (2) TABLE MTD. OPPOSITE CORNERS W/NEOPRENE PLUGS.
7. CLEANOUT HOLES.
8. Ⓞ 1/2" PLASTIC INSERT. LOCATE AS FOLLOWS: COVER SECTION (4) CORE DECK MTD.

***EXTENSION ARE AVAILABLE IN THE FOLLOWING SIZES:**

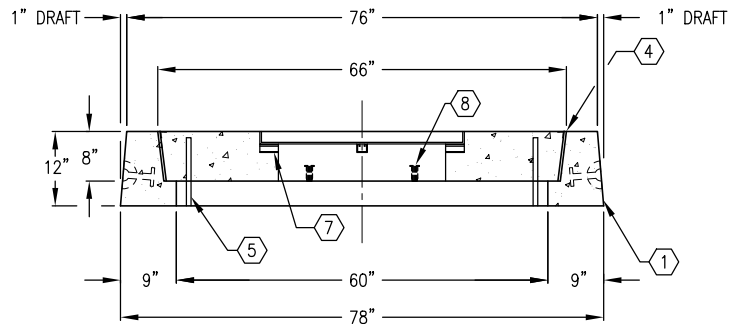
- A) VN45-R6-12, 6" EXTENSION SECTION (R-VN45-R6-12). WT. 877 Lbs.
- B) VN45-R9-12, 9" EXTENSION SECTION (R-VN45-R9-12). WT. 1,316 Lbs.
- C) VN45-R12-12, 12" EXTENSION SECTION (R-VN45-R12-12). WT. 1,755 Lbs.

ORDERING INFORMATION:

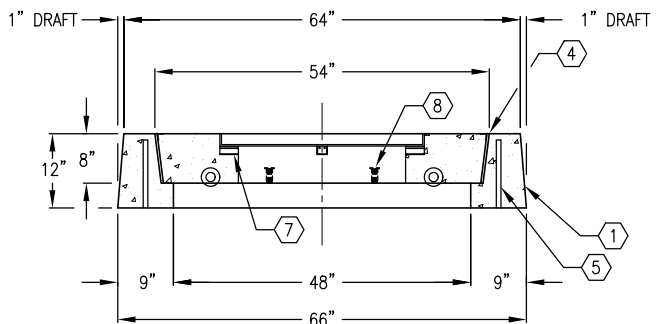
PER CITY OF ANAHEIM SPECS. CU1600-3C.
TOTAL WEIGHT FOR ASSEMBLY AS SHOWN IS 4,223 Lbs.



PLAN VIEW



SECTION A-A



SECTION B-B



#	DATE	DESCRIPTION	BY