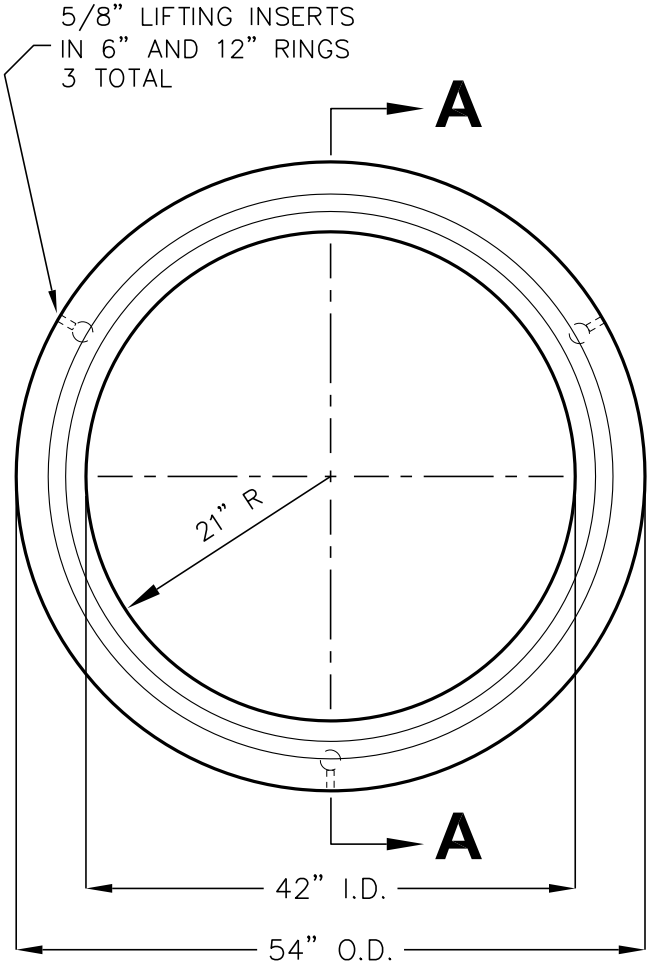


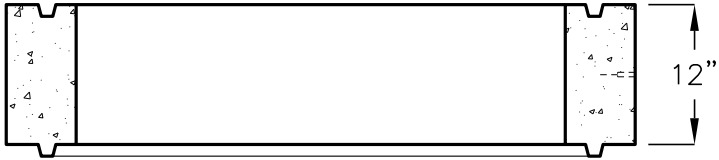
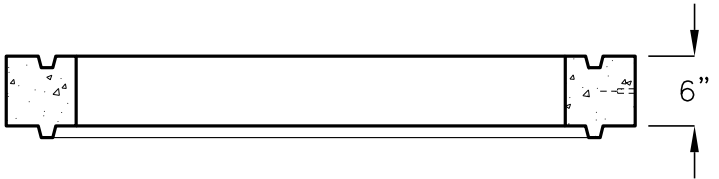
4254 GRADE RINGS

42" DIA.

(NOMINAL INSIDE DIMENSION)



PLAN VIEW



SECTION A-A

DESCRIPTION	APPROX. WEIGHT
4254 GR-03 GRADE RING	235 LBS.
4254 GR-06 GRADE RING	471 LBS.
4254 GR-12 GRADE RING	943 LBS.

CONFORMS TO CURRENT SPECIFICATIONS: ASTM C-478 AND ASSHTO M-199-811.
 FOR COMPLETE DESIGN AND PRODUCT INFORMATION CONTACT JENSEN PRECAST.