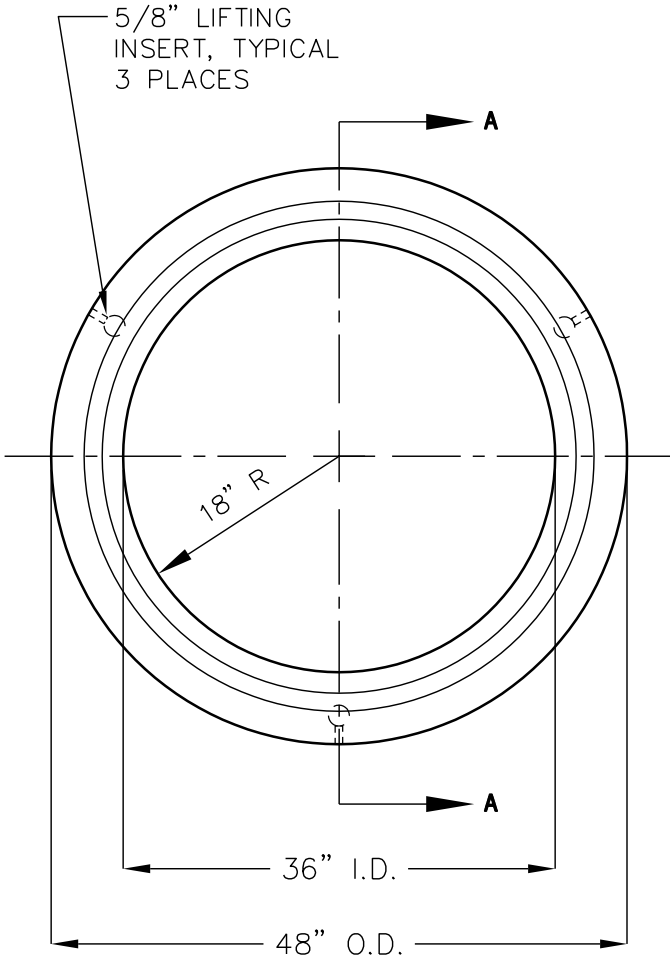
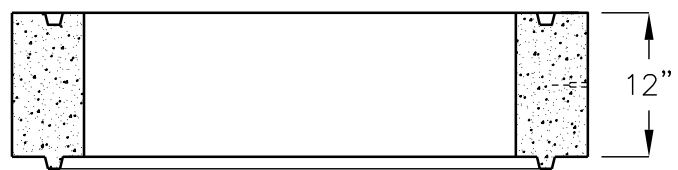
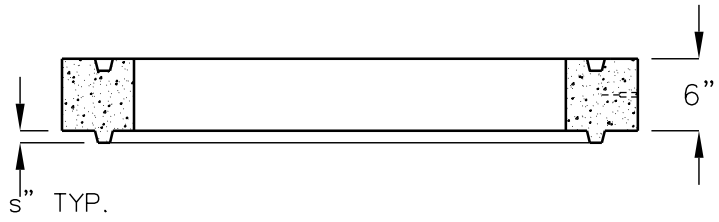
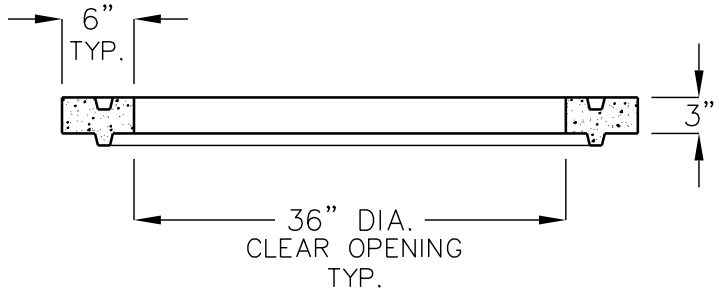


GRADE RINGS/RISERS

MODEL 3648 36" I.D. - 6" WALL



TOP VIEW



SECTION A-A

DESCRIPTION	APPROX. WEIGHT
3648 GR-03 GRADE RING	170 LBS.
*3648 GR-06 GRADE RING	415 LBS.
*3648 GR-12 GRADE RING	830 LBS.

CONFORMS TO CURRENT SPECIFICATIONS:
 ASTM C-478 AND AASHTO NO. M-199-811
 *MANUFACTURED WITH 3 - 5/8"
 LIFTING INSERTS

FOR COMPLETE DESIGN
 AND PRODUCT INFORMATION,
 CONTACT JENSEN PRECAST.