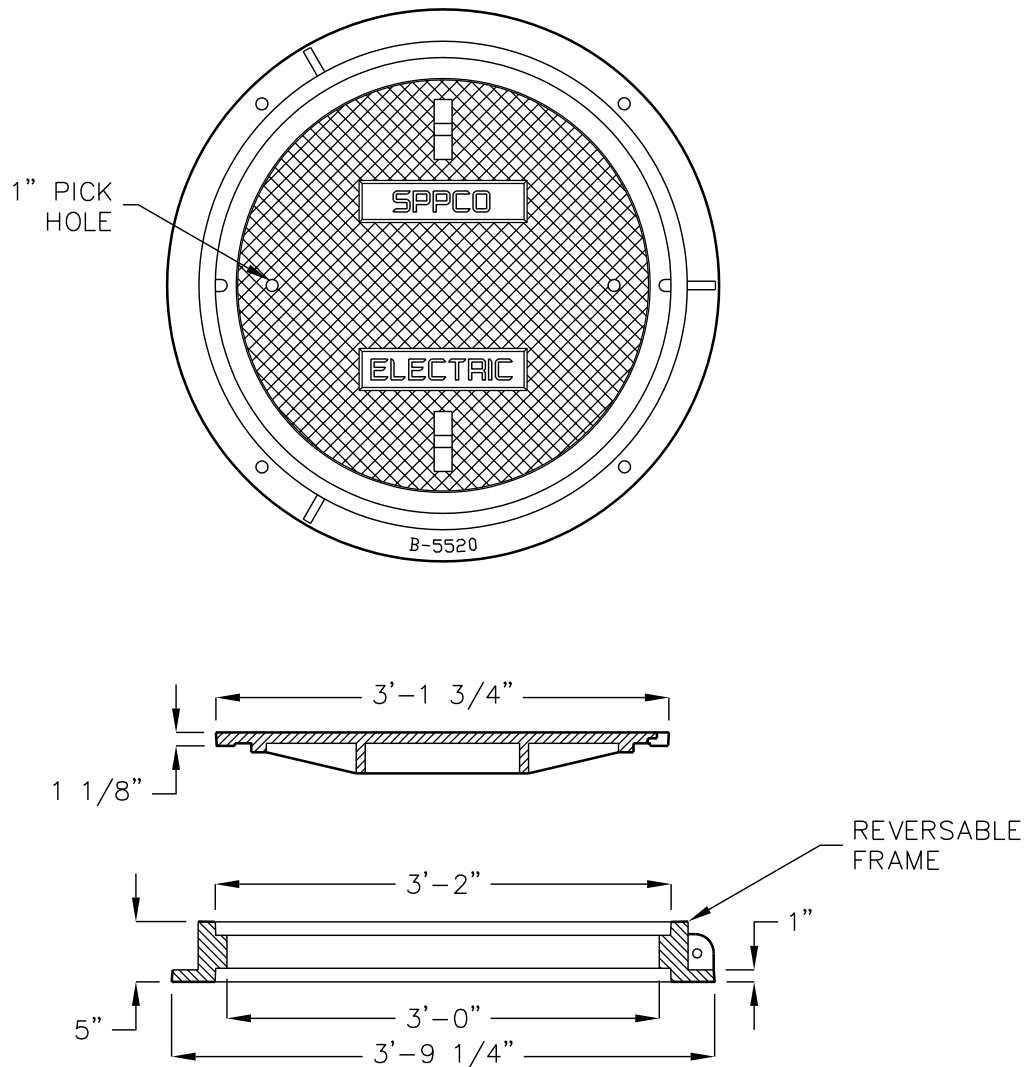


36" CLEAR OPENING

FRAME & COVER

MODEL B-5520



GENERAL INFORMATION

- ◆ ALL MATERIALS USED IN MANUFACTURING SHALL CONFORM TO ASTM A48-83 CLASS 30.
- ◆ FRAME & COVER BEARING SURFACES MACHINED TO ASSURE CLOSE, QUIET FIT.
- ◆ STANDARD COVER MEETS H-20 WHEEL LOADING.
- ◆ STANDARD COVER MARKINGS AVAILABLE: "ELECTRIC" OR "SPPCO ELECTRIC"
- ◆ FOR COMPLETE DESIGN AND PRODUCT INFORMATION, CONTACT JENSEN PRECAST.