

# BIG BLOCK WALL SYSTEM

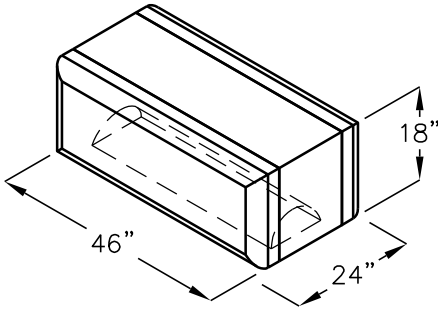
## REDI-ROCK™ RETAINING WALL PERIMETER FREE-STANDING SERIES BLOCKS

(FINISHED ON TWO SIDES)

### Straight

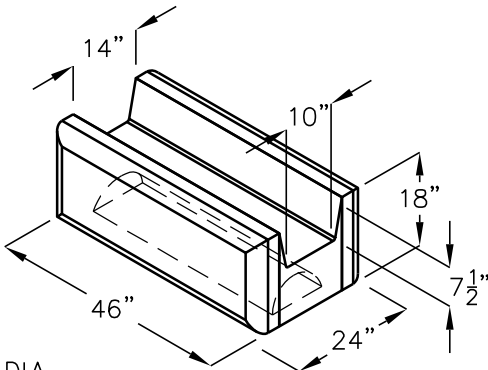
**Full (46")**  
10.46 Cft  
1496 Lbs ±

**Half (23")**  
5.22 Cft  
747 Lbs ±



**Full (46")**  
7.98 Cft  
1141 Lbs ±

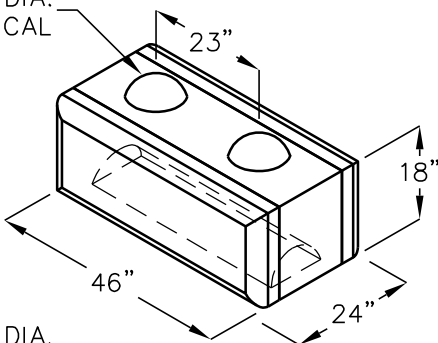
**Half (23")**  
3.97 Cft  
567 Lbs ±



10" DIA.  
TYPICAL

**Full (46")**  
10.68 Cft  
1527 Lbs ±

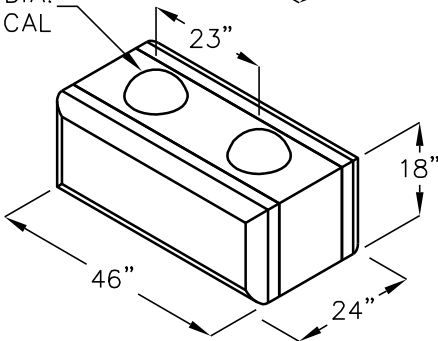
**Half (23")**  
5.33 Cft  
762 Lbs ±



10" DIA.  
TYPICAL

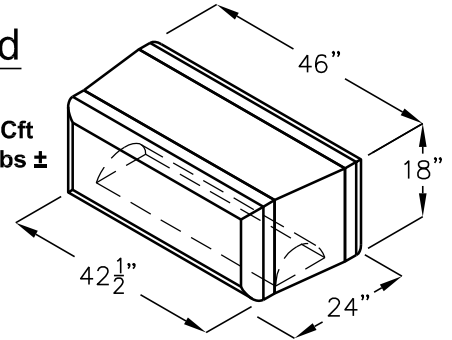
**Full (46")**  
11.53 Cft  
1649 Lbs ±

**Half (23")**  
5.74 Cft  
821 Lbs ±



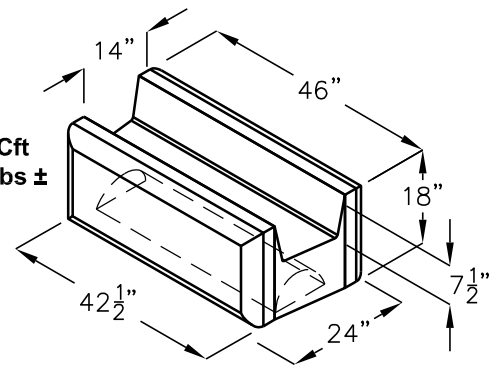
### Curved

**10.03 Cft**  
**1434 Lbs ±**



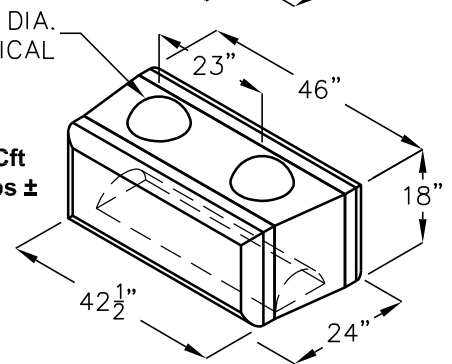
**Top -  
Smooth or  
Textured**

**7.65 Cft**  
**1093 Lbs ±**



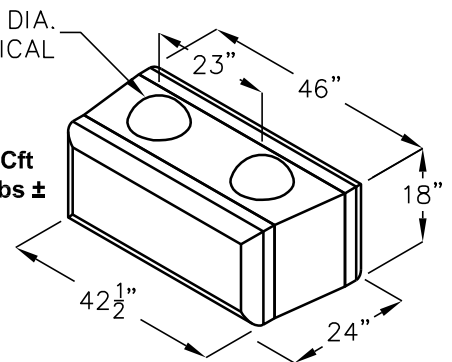
**Top -  
Garden**

**10.24 Cft**  
**1465 Lbs ±**



**Middle**

**11.10 Cft**  
**1588 Lbs ±**



**Bottom**

WEIGHTS MAY VARY.

FOR COMPLETE DESIGN AND PRODUCT INFORMATION  
CONTACT JENSEN PRECAST.

Jensen Precast reserves the right to make changes to product design and/or dimensions without notice. Please contact Jensen Precast whenever necessary for confirmation or advice on product design.