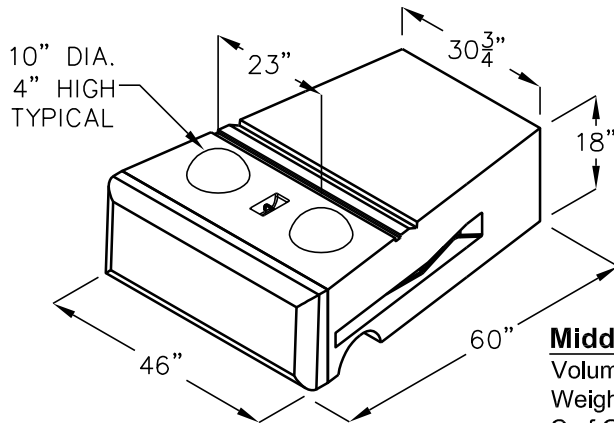
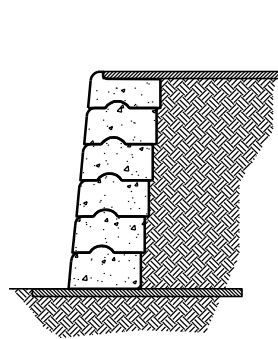
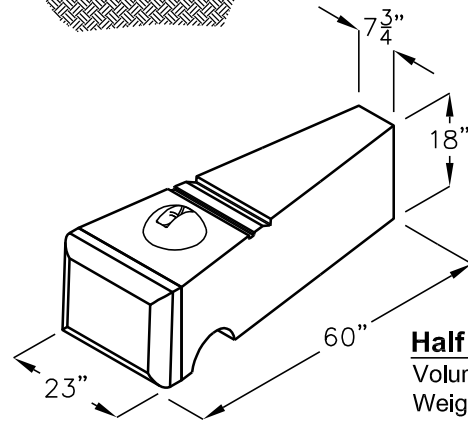


BIG BLOCK WALL SYSTEM

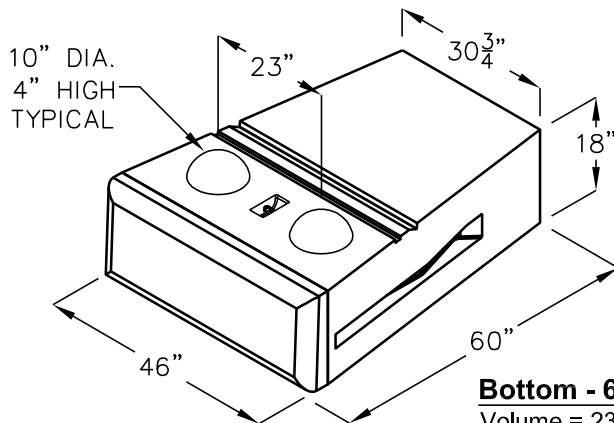
REDI-ROCK™ RETAINING WALL 60" SERIES BLOCKS



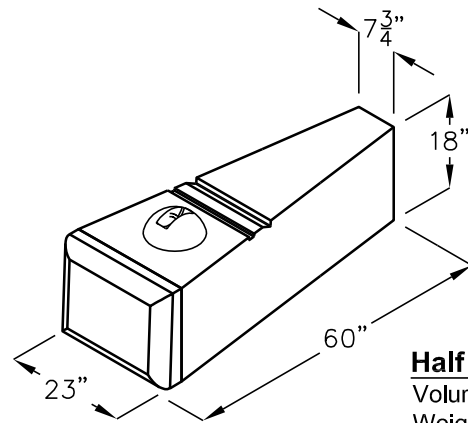
Middle - 60"
Volume = 23.0 cft
Weight = ±3290 lbs
C of G = 31.28"



Half Middle - 60"
Volume = 9.31 cft
Weight = ±1331 lbs



Bottom - 60"
Volume = 23.9 cft
Weight = ±3420 lbs
C of G = 31.90"



Half Bottom - 60"
Volume = 9.75 cft
Weight = ±1394 lbs

CENTER OF GRAVITY MEASURED FROM BACK OF BLOCK.
WEIGHTS MAY VARY.

FOR COMPLETE DESIGN AND PRODUCT INFORMATION
CONTACT JENSEN PRECAST.

Jensen Precast reserves the right to make changes to product design
and/or dimensions without notice. Please contact Jensen Precast whenever
necessary for confirmation or advice on product design.