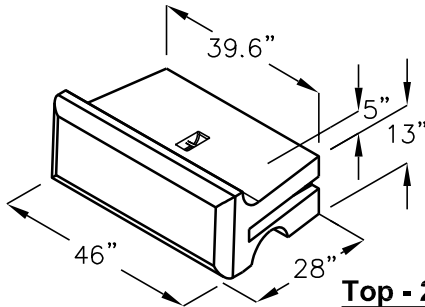


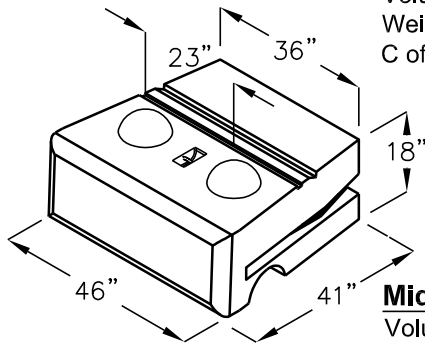
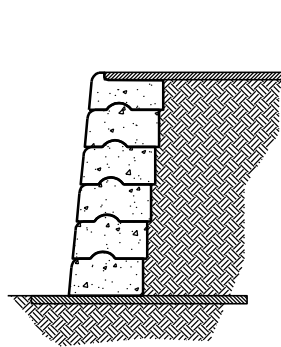
BIG BLOCK WALL SYSTEM

REDI-ROCK™ RETAINING WALL 41" SERIES BLOCKS



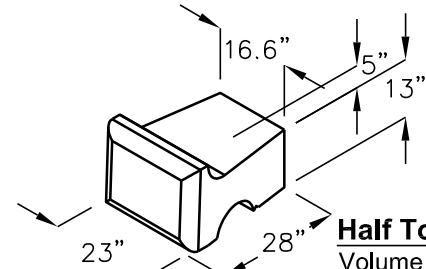
Top - 28"

Volume = 8.55 cft
Weight = ±1223 lbs
C of G = 15.06"



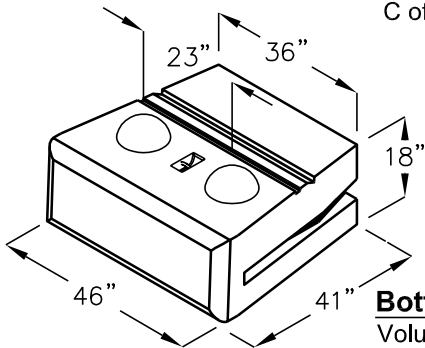
Middle - 41"

Volume = 16.44 cft
Weight = ±2351 lbs
C of G = 20.92"



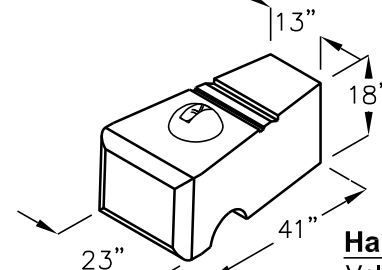
Half Top - 28"

Volume = 4.13 cft
Weight = ±591 lbs



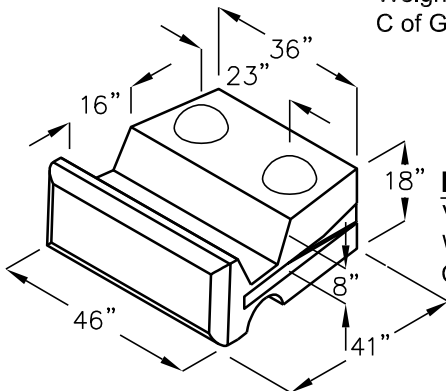
Bottom - 41"

Volume = 17.37 cft
Weight = ±2483 lbs
C of G = 21.3"



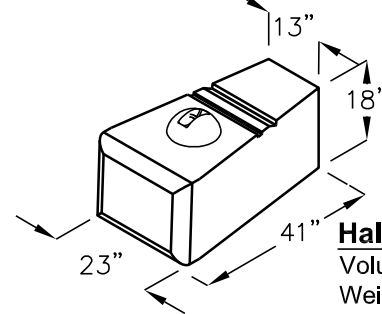
Half Middle - 41"

Volume = 7.28 cft
Weight = ±1041 lbs



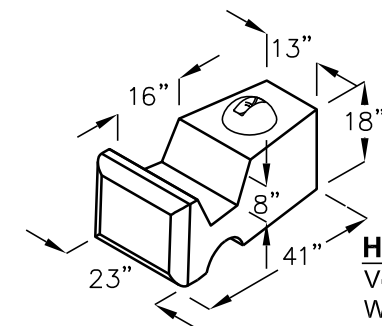
Planter

Volume = 14.12 cft
Weight = ±2020 lbs
C of G = 19.35"



Half Bottom - 41"

Volume = 7.73 cft
Weight = ±1105 lbs



Half Planter

Volume = 5.91 cft
Weight = ±890 lbs

NOTE: CENTER OF GRAVITY MEASURED FROM BACK OF BLOCK.
WEIGHTS MAY VARY.

FOR COMPLETE DESIGN AND PRODUCT INFORMATION
CONTACT JENSEN PRECAST.

Jensen Precast reserves the right to make changes to product design
and/or dimensions without notice. Please contact Jensen Precast whenever
necessary for confirmation or advice on product design.

JENSEN
PRECAST