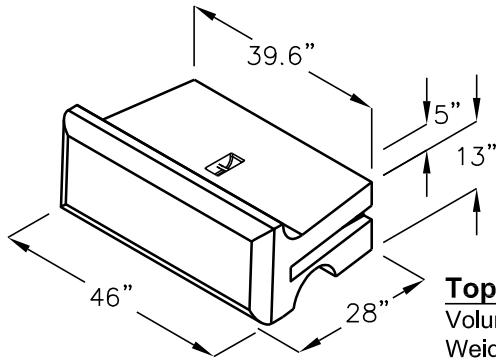
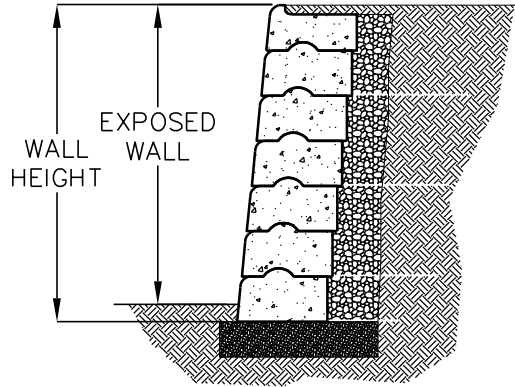
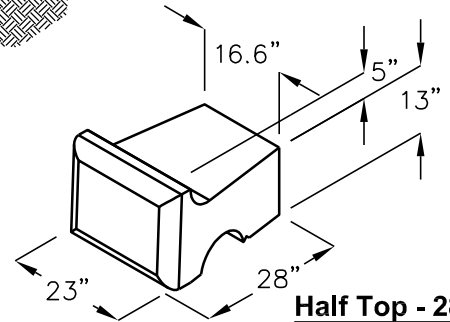


BIG BLOCK WALL SYSTEM

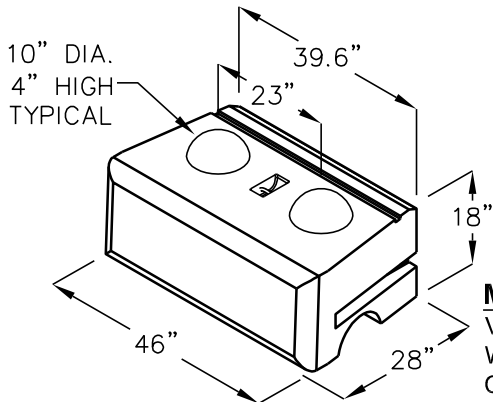
REDI-ROCK™ RETAINING WALL 28" SERIES BLOCKS



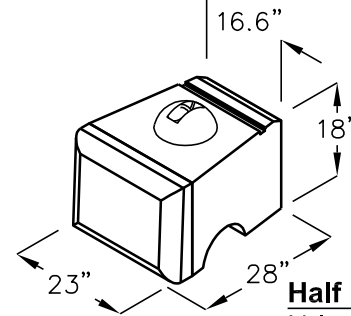
Top - 28"
Volume = 8.55 cft
Weight = ±1223 lbs
C of G = 15.06"



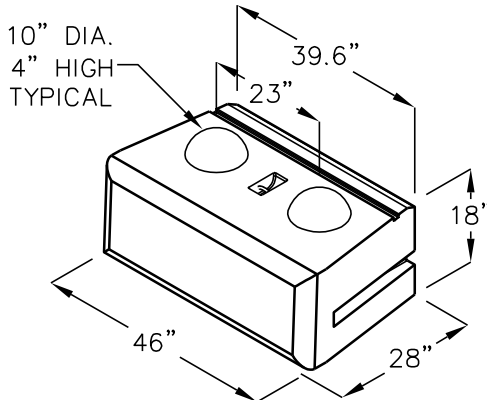
Half Top - 28"
Volume = 4.13 cft
Weight = ±591 lbs



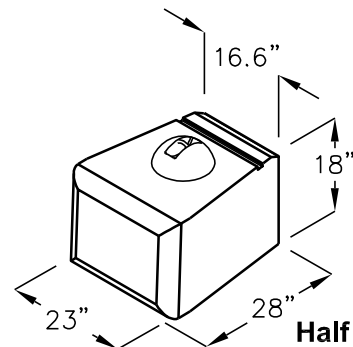
Middle - 28"
Volume = 11.40 cft
Weight = ±1630 lbs
C of G = 14.18"



Half Middle - 28"
Volume = 5.34 cft
Weight = ±764 lbs



Bottom - 28"
Volume = 12.36 cft
Weight = ±1768 lbs
C of G = 14.23"



Half Bottom - 28"
Volume = 5.79 cft
Weight = ±827 lbs

NOTE: CENTER OF GRAVITY MEASURED FROM BACK OF BLOCK.
WEIGHTS MAY VARY.

FOR COMPLETE DESIGN AND PRODUCT INFORMATION
CONTACT JENSEN PRECAST.

Jensen Precast reserves the right to make changes to product design and/or dimensions without notice. Please contact Jensen Precast whenever necessary for confirmation or advice on product design.

