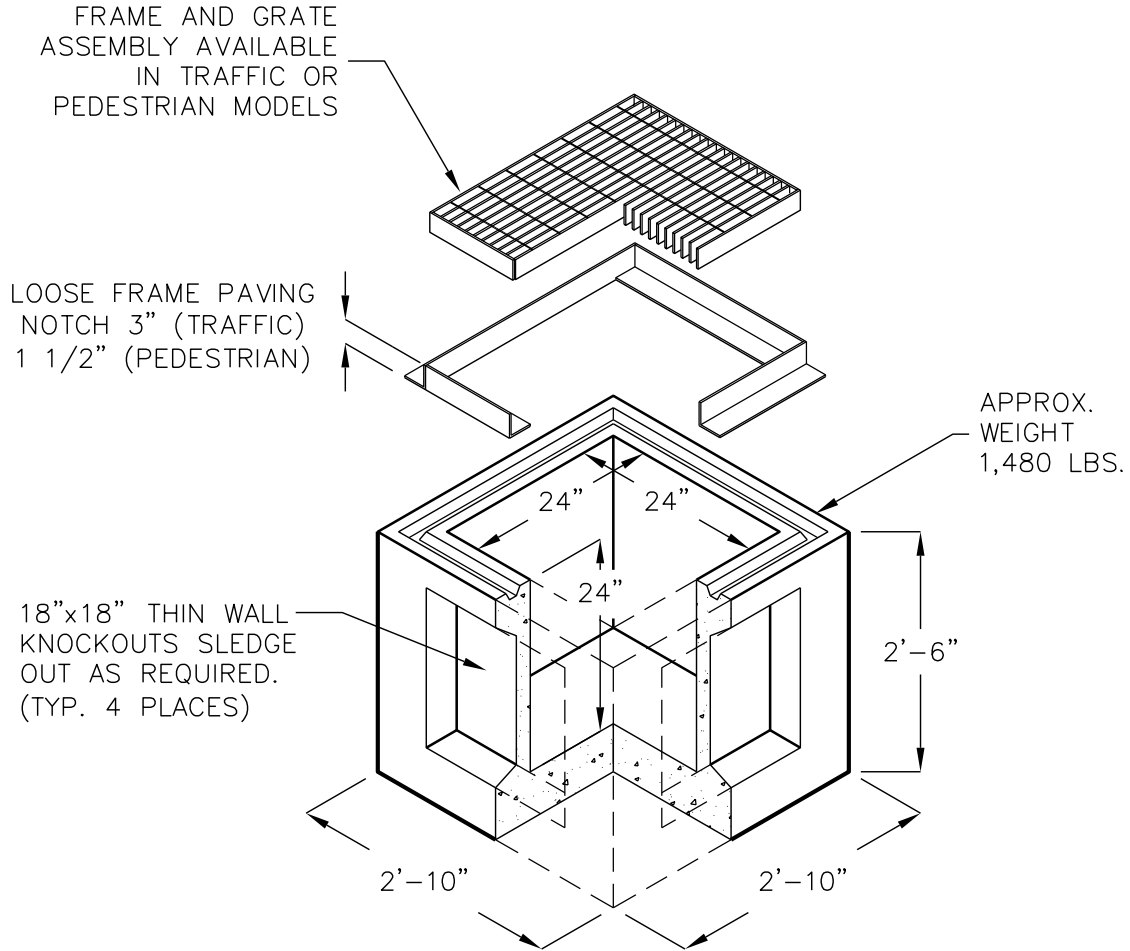
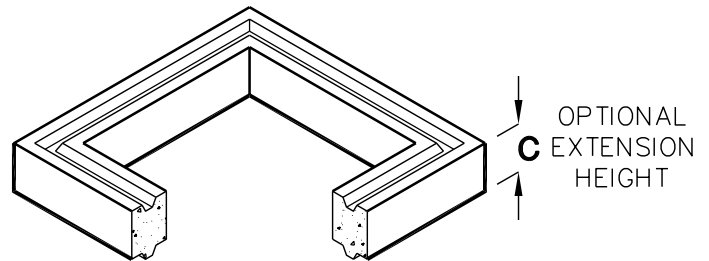


24"x24"x24" DROP INLET



EXTENSION		
MODEL NO.	C	WEIGHT
RS242406	6"	300 LBS.
RS242412	12"	600 LBS.



BOX DESIGN LOAD: H-20 TRAFFIC

FOR COMPLETE DESIGN AND PRODUCT INFORMATION CONTACT JENSEN PRECAST.