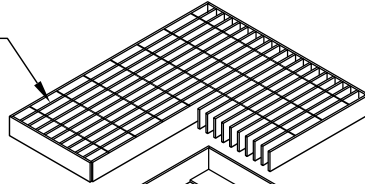


24"x24" DROP INLET

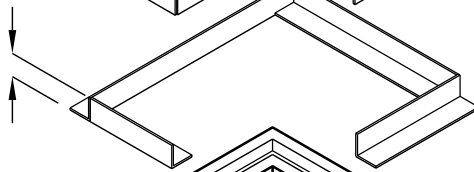
DROP INLET			
MODEL NO.	A	B	* WEIGHT
DI242436	36"	42"	1900 LBS.
DI242448	48"	54"	2500 LBS.

*BOX ONLY

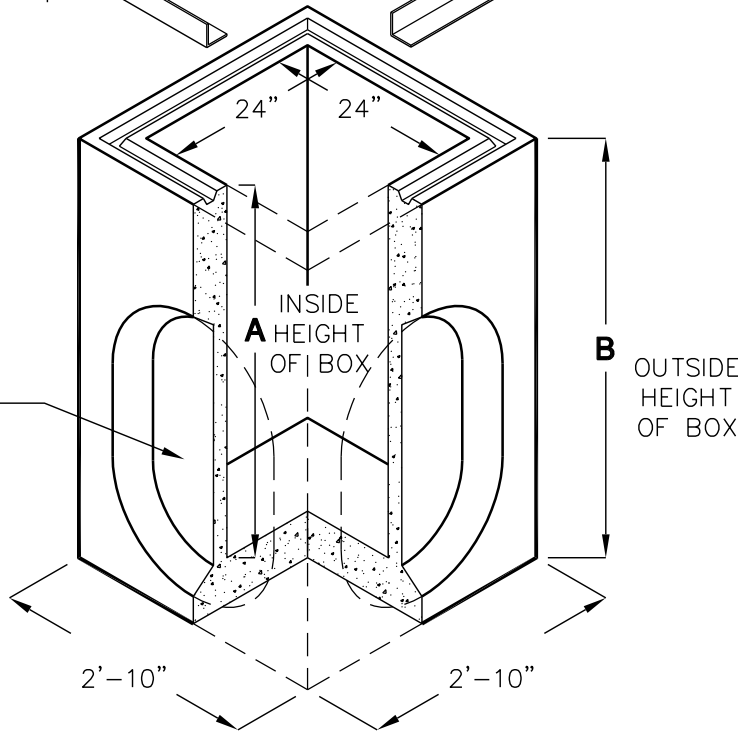
FRAME AND GRATE ASSEMBLY AVAILABLE IN TRAFFIC OR PEDESTRIAN MODELS



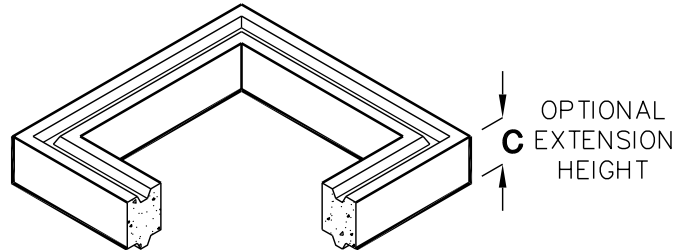
LOOSE FRAME PAVING NOTCH 3" (TRAFFIC)
1 1/2" (PEDESTRIAN)



18"x31" THIN WALL KNOCKOUTS SLEDGE OUT AS REQUIRED. (TYP. 4 PLACES)



EXTENSION		
MODEL NO.	C	WEIGHT
RS242406	6"	300 LBS.
RS242412	12"	600 LBS.



BOX DESIGN LOAD:
H-20 TRAFFIC

FOR COMPLETE DESIGN
AND PRODUCT INFORMATION,
CONTACT JENSEN PRECAST.