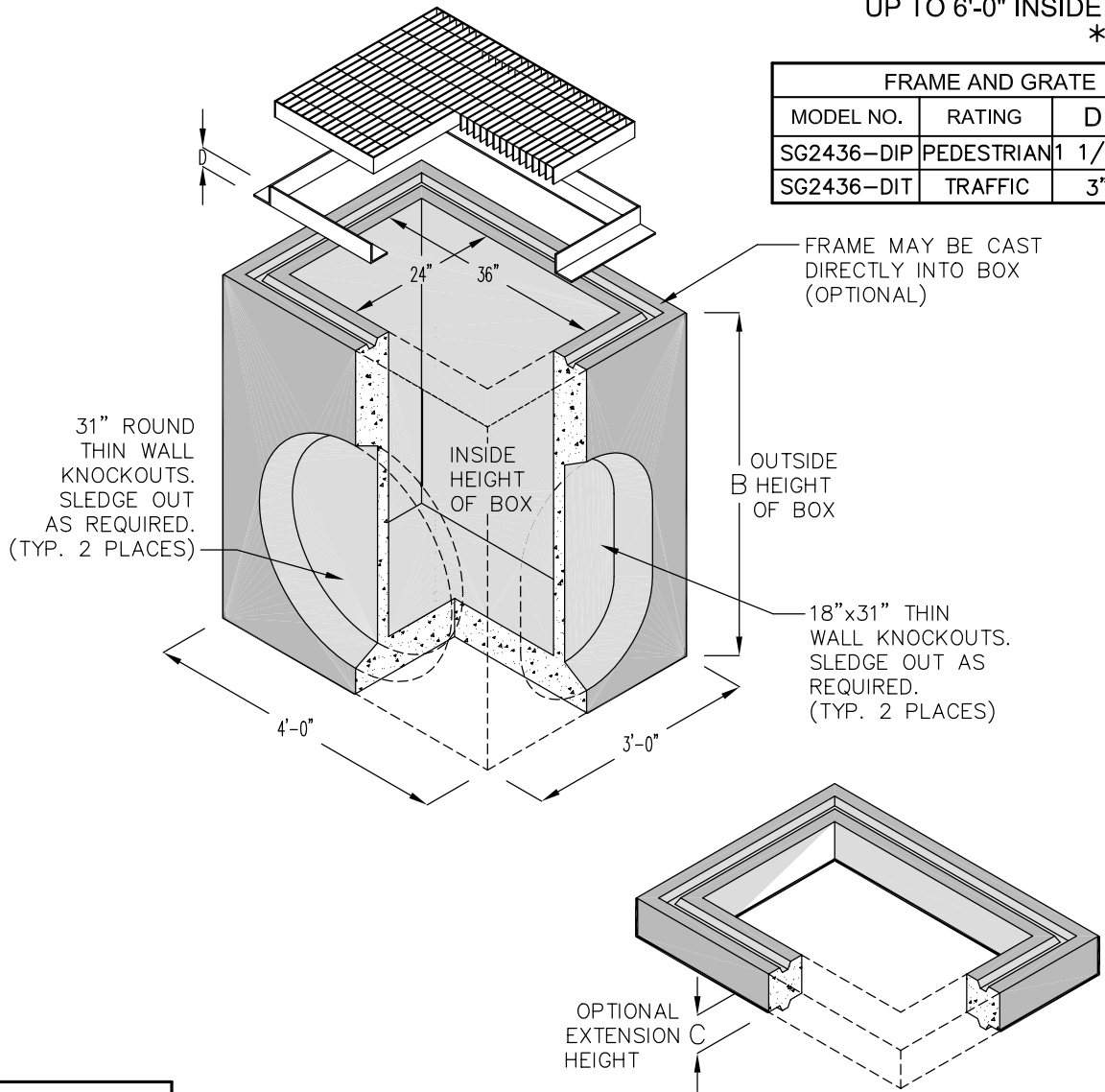


DROP INLET			
MODEL NO.	A	B	*WEIGHT
DI243636	36"	42"	3028 LBS.
DI243648	48"	54"	3889 LBS.
DI243660	60"	66"	5611 LBS.
DI243672	72"	78"	6472 LBS.

UP TO 6'-0" INSIDE DEPTH
*BOX ONLY

FRAME AND GRATE			
MODEL NO.	RATING	D	WEIGHT
SG2436-DIP	PEDESTRIAN	1 1/2"	63 LBS.
SG2436-DIT	TRAFFIC	3"	177 LBS.



EXTENSION		
MODEL NO.	C	WEIGHT
RS243606	6"	450 LBS.
RS243612	12"	900 LBS.

- FRAME AND GRATE ASSEMBLY AVAILABLE IN TRAFFIC OR PEDESTRIAN MODELS.
- DESIGN FOR H-20-44 BRIDGE LOADING.
- ASSEMBLY TO BE PLACED ON A 6" BASE OF CRUSHER RUN FOR EASE OF INSTALLATION AND EVEN LOAD DISTRIBUTION.
- FOR COMPLETE DESIGN AND PRODUCT INFORMATION, CONTACT JENSEN PRECAST.

■ ILLUSTRATION IS TYPICAL ONLY OF GENERAL SERIES CONFIGURATION; FOR SPECIFIC CONFIGURATION, CALL JENSEN PRECAST.

24" X 36" DRAIN INLET		JENSEN PRECAST
<small>ORG. DWG. DATE</small> 11-28-00	<small>REV. DWG. DATE</small>	
		DI2436