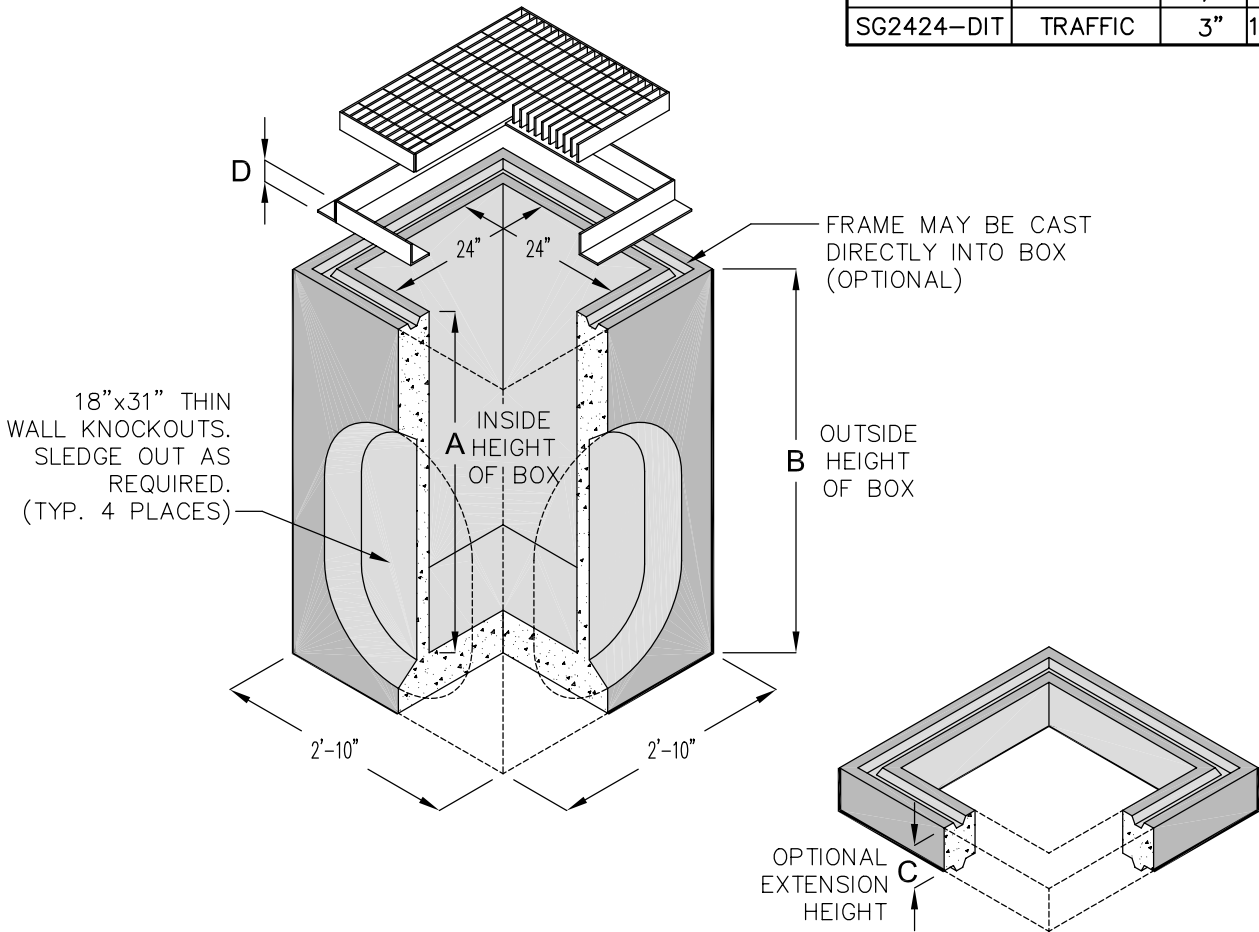


DROP INLET			
MODEL NO.	A	B	*WEIGHT
DI242436	36"	42"	1900 LBS.
DI242448	48"	54"	2500 LBS.

*BOX ONLY

FRAME AND GRATE			
MODEL NO.	RATING	D	WEIGHT
SG2424-DIP	PEDESTRIAN	1 1/2"	41 LBS.
SG2424-DIT	TRAFFIC	3"	120 LBS.



EXTENSION		
MODEL NO.	C	WEIGHT
RS242406	6"	300 LBS.
RS242412	12"	600 LBS.

- FRAME AND GRATE ASSEMBLY AVAILABLE IN TRAFFIC OR PEDESTRIAN MODELS.
- DESIGN FOR H-20-44 BRIDGE LOADING.
- ASSEMBLY TO BE PLACED ON A 6" BASE OF CRUSHER RUN FOR EASE OF INSTALLATION AND EVEN LOAD DISTRIBUTION.
- FOR COMPLETE DESIGN AND PRODUCT INFORMATION, CONTACT JENSEN PRECAST.

■ ILLUSTRATION IS TYPICAL ONLY OF GENERAL SERIES CONFIGURATION: FOR SPECIFIC CONFIGURATION, CALL JENSEN PRECAST.

24" X 24" DRAIN INLET	
	DI2424
<small>ORIG. DWG. DATE</small> 11-28-00	<small>REV. DWG. DATE</small>