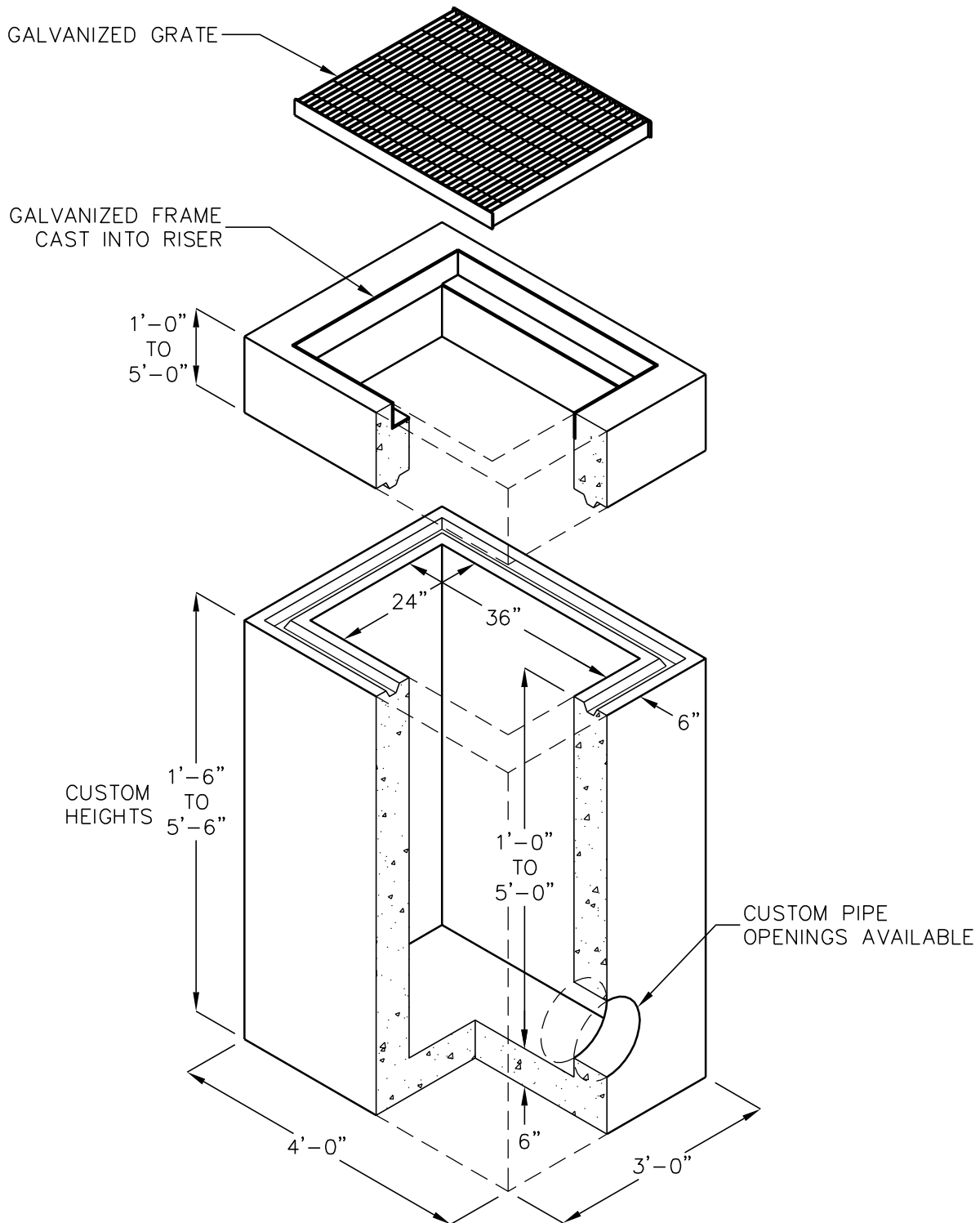


# DROP INLET

24"x36" I.D.  
 (NOMINAL DIMENSIONS)  
 WITH FRAME AND GRATE



FOR COMPLETE DESIGN AND PRODUCT INFORMATION  
 CONTACT JENSEN PRECAST.