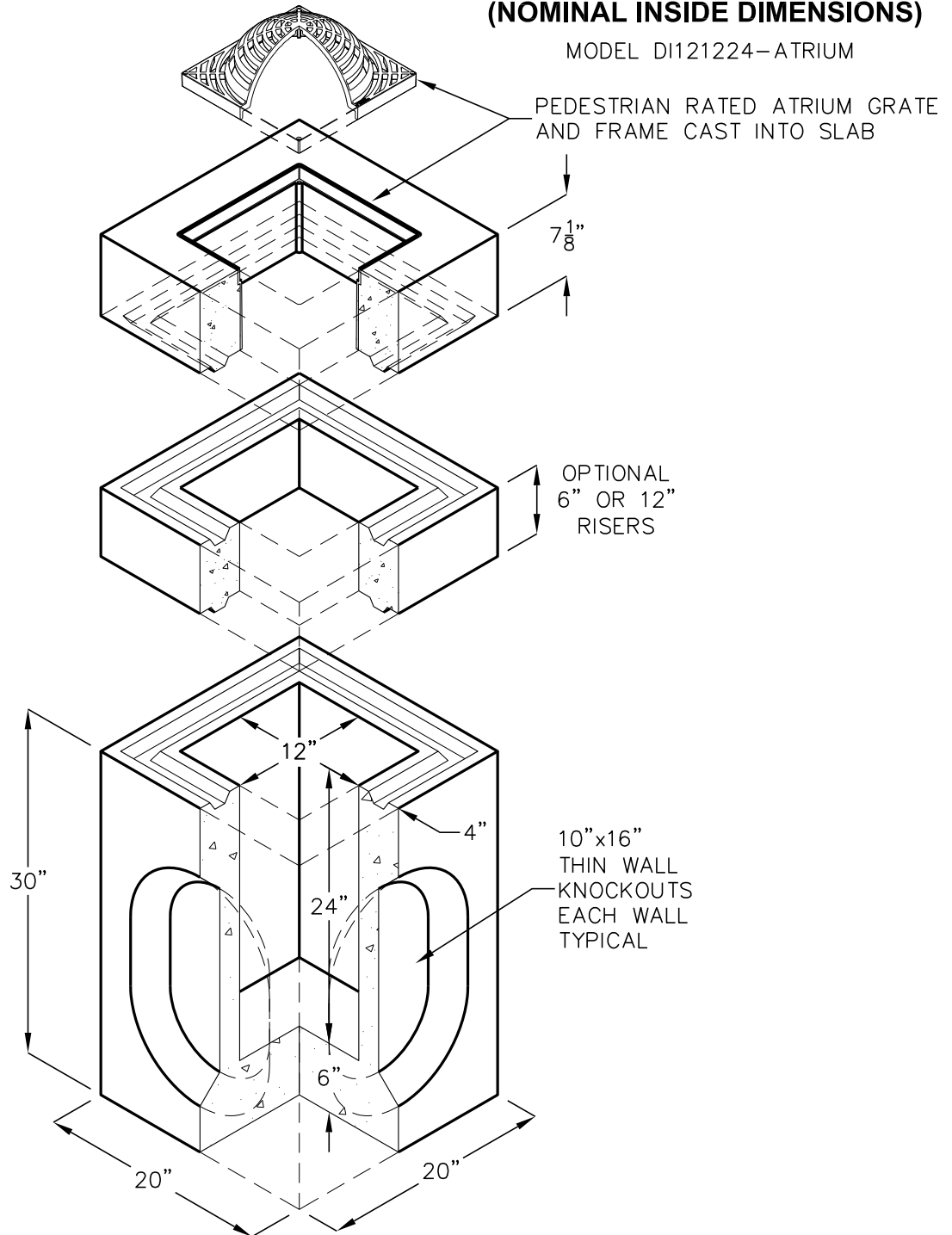


# 12x12 DROP INLET ATRIUM GRATE

12"x12"x24"

(NOMINAL INSIDE DIMENSIONS)

MODEL DI121224-ATRIUM



DESIGN LOAD: 300 PSF PEDESTRIAN LOADING.

WATER TABLE ASSUMED TO BE BELOW BOTTOM OF STRUCTURE.

FOR COMPLETE DESIGN AND PRODUCT INFORMATION CONTACT JENSEN PRECAST.

F

7/21/2016  
1212DI\_ATRIUM GRATE.DWG  
©2016

Jensen Precast reserves the right to make changes to product design and/or dimensions without notice. Please contact Jensen Precast whenever necessary for confirmation or advice on product design.

**JENSEN**  
PRECAST EST. 1968