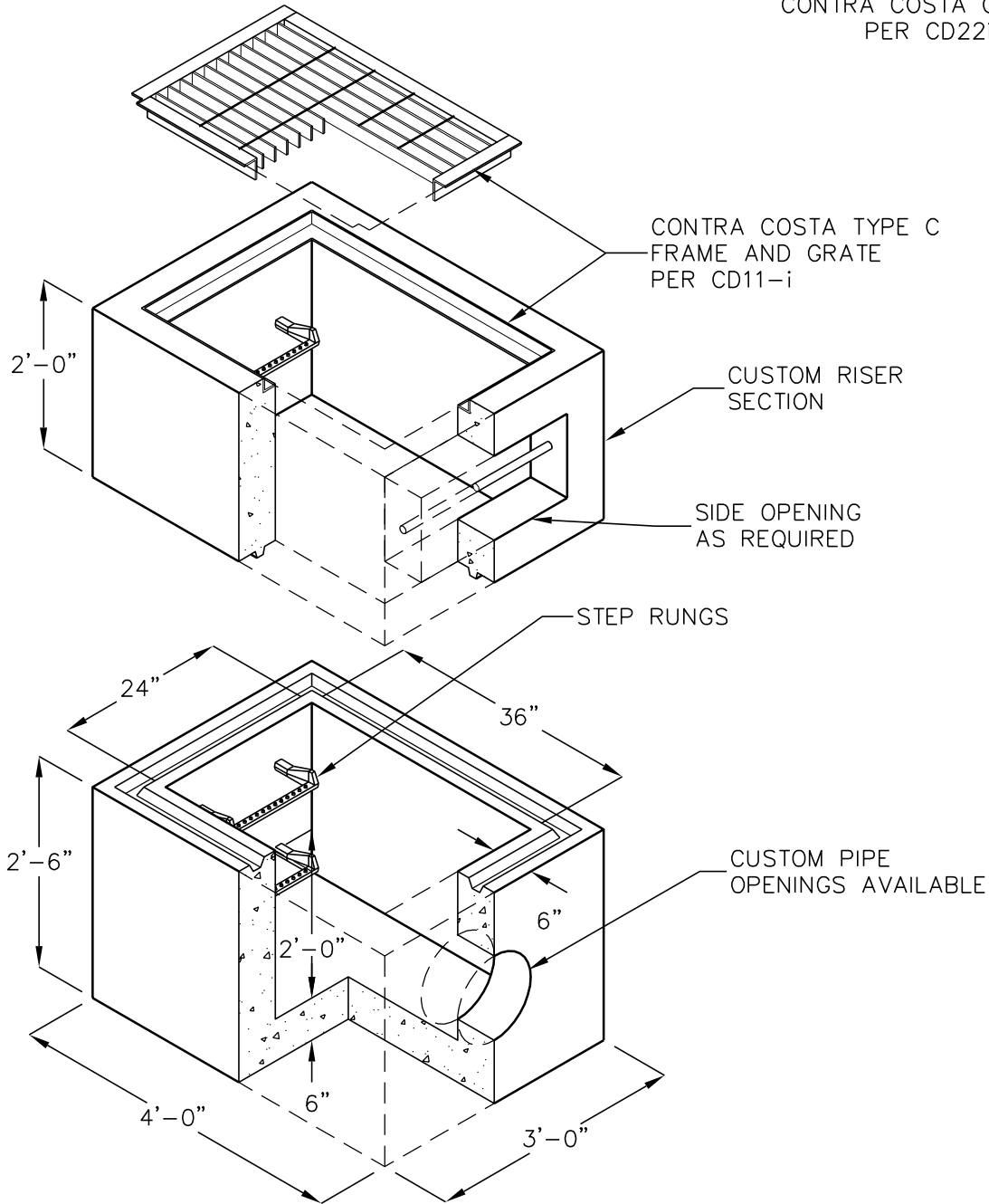


TYPE C FIELD INLET

2436 MATERIAL
UP TO 4 FOOT DEPTH

CONTRA COSTA COUNTY
PER CD22i



MEETS CONTRA COSTA COUNTY SPECIFICATION CD22i TYPE C INLET.

FOR COMPLETE DESIGN AND PRODUCT INFORMATION CONTACT JENSEN PRECAST.