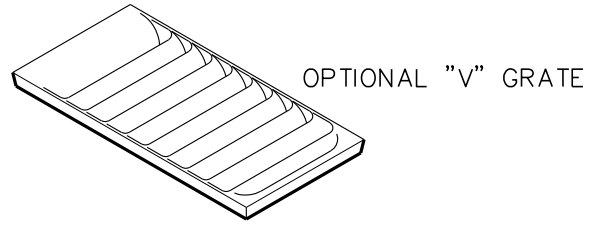
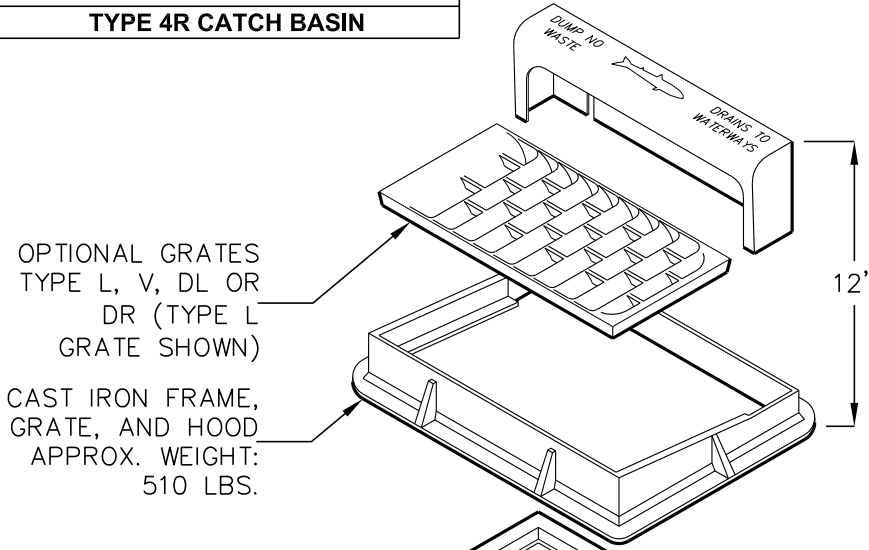


**MEETS REQUIREMENTS FOR  
STANDARD DETAILS FOR PUBLIC  
WORKS CONSTRUCTION**

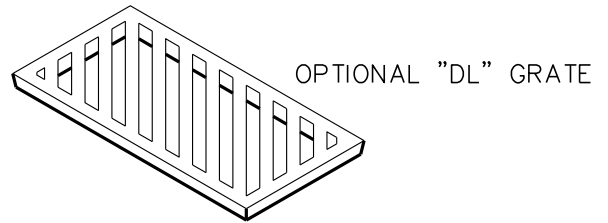
**TYPE 4R CATCH BASIN**

# 2436-4R

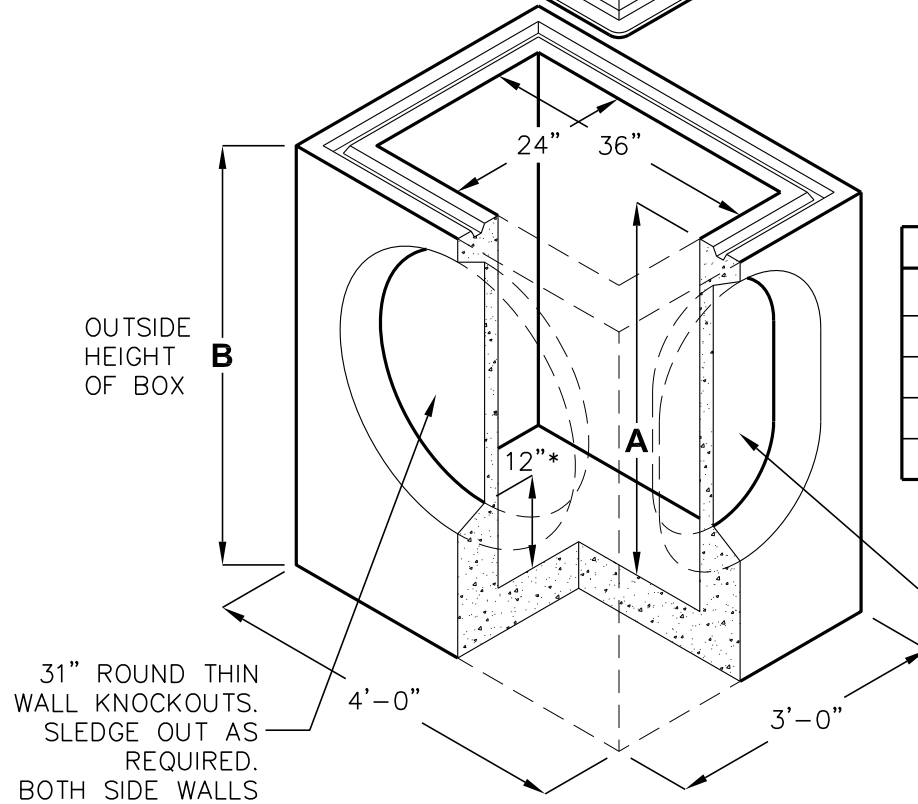
**24"x36" CURB INLET  
WITH CAST IRON FRAME,  
GRATE, AND HOOD**



OPTIONAL "V" GRATE



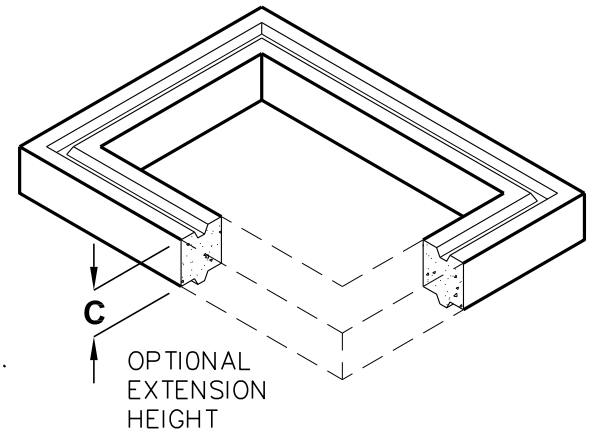
OPTIONAL "DL" GRATE



**UP TO 6'-0" INSIDE DEPTH**

DROP INLET			
MODEL NO.	A	B	BOX WEIGHT
DI243636-4R	36"	42"	3080 LBS.
DI243648-4R	48"	54"	3940 LBS.
DI243660-4R	60"	66"	5660 LBS.
DI243672-4R	72"	78"	6510 LBS.

EXTENSION		
MODEL NO.	C	WEIGHT
RS243606	6"	450 LBS.
RS243612	12"	900 LBS.



OPTIONAL  
EXTENSION  
HEIGHT

\* KNOCKOUT FLUSH WITH FLOOR ON 36" INSIDE HEIGHT BOX. 48" INSIDE HEIGHT BOX ILLUSTRATED.

BOX DESIGN LOAD:H-20 TRAFFIC.

FOR COMPLETE DESIGN AND PRODUCT INFORMATION  
CONTACT JENSEN PRECAST.

Jensen Precast reserves the right to make changes to product design and/or dimensions without notice. Please contact Jensen Precast whenever necessary for confirmation or advice on product design.