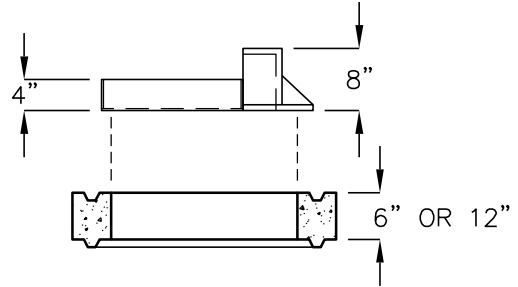
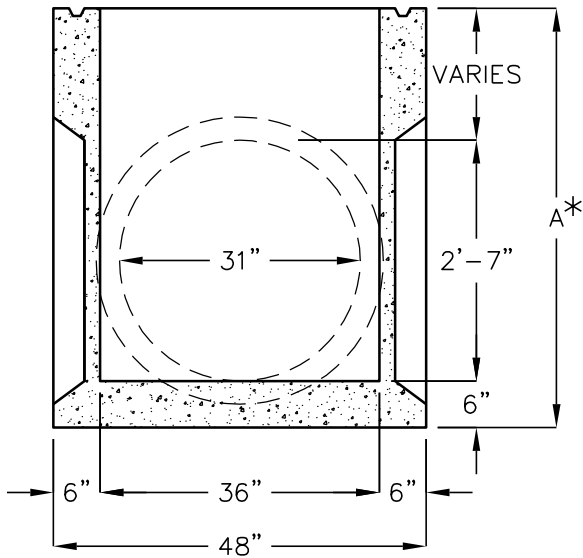


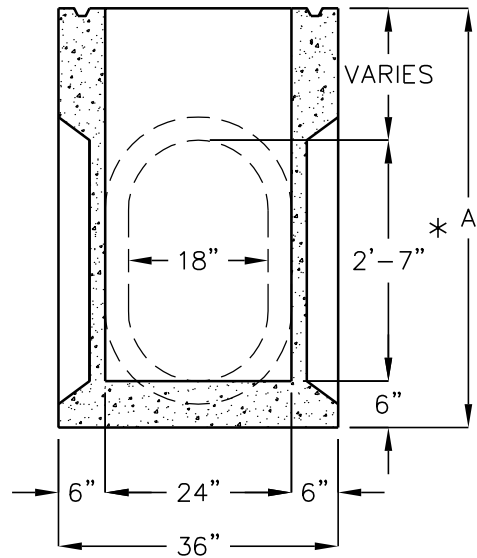
**TOP VIEW-BOX  
WITH CAST IRON REMOVED**



**EXTENSION WITH  
CAST IRON HOOD, FRAME,  
AND GRATE SHOWN**



**FRONT VIEW**



**SIDE VIEW**

**SECTION  
24"x36" DROP INLET**

\*SEE DROP INLET  
TABLE ON FRONT