

**MEETS REQUIREMENTS FOR
STANDARD DETAILS FOR PUBLIC
WORKS CONSTRUCTION**

TYPE 1A CATCH BASIN

2436-1A

**24"x36" CURB INLET
WITH CAST IRON HOOD,
FABRICATED FRAME & GRATE**

UP TO 6'-0" INSIDE DEPTH

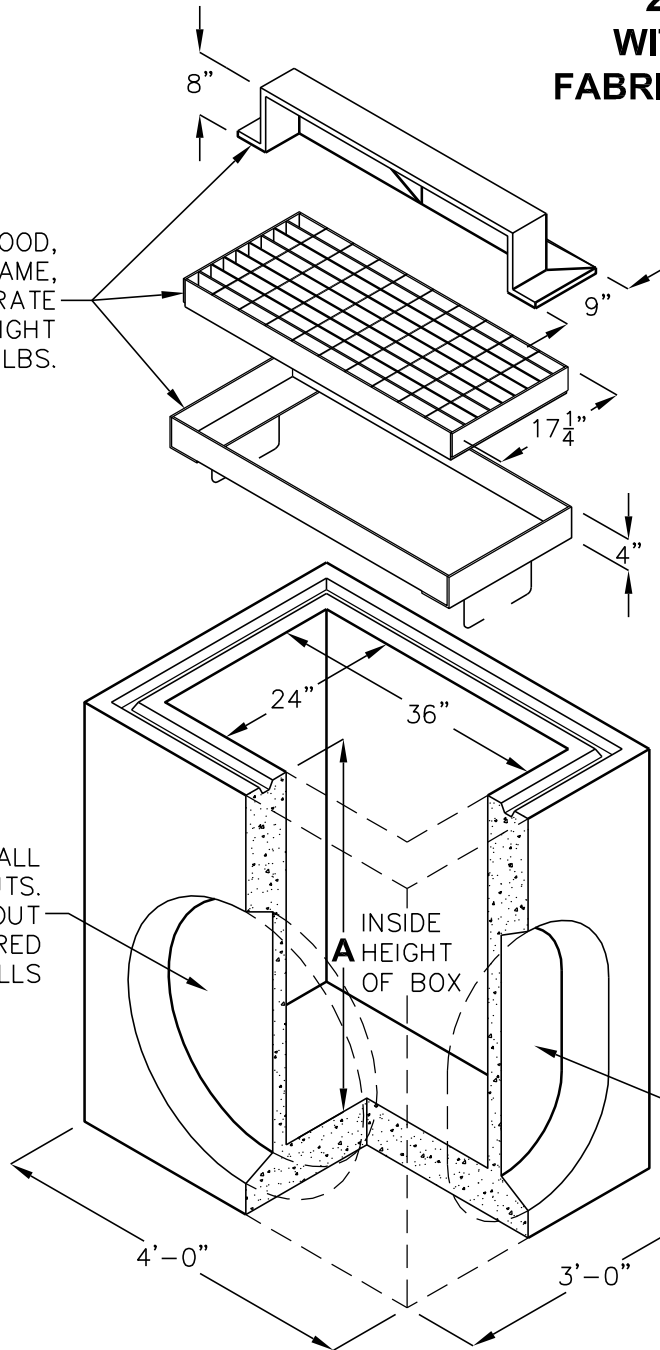
DROP INLET			
MODEL NO.	A	B	WEIGHT*
DI243636-1A	36"	42"	3028 LBS.
DI243648-1A	48"	54"	3889 LBS.
DI243660-1A	60"	66"	5611 LBS.
DI243672-1A	72"	78"	6472 LBS.

* BOX ONLY

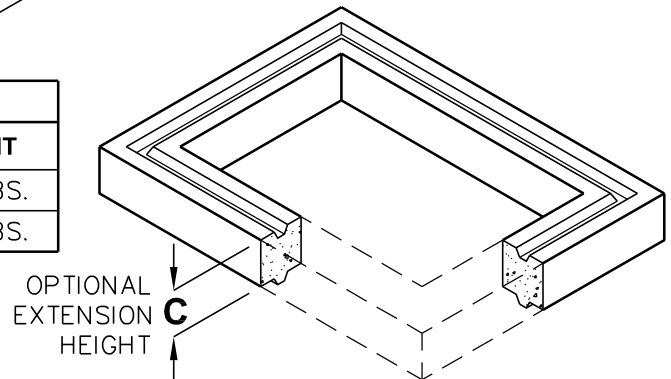
CAST IRON HOOD,
FABRICATED FRAME,
AND GRATE
APPROX. WEIGHT
312 LBS.

31" DIA. THIN WALL
KNOCKOUTS.
SLEDGE OUT
AS REQUIRED
BOTH SIDE WALLS

18"x31"
THIN WALL KNOCKOUTS
SLEDGE OUT AS REQUIRED
BOTH END WALLS



EXTENSION		
MODEL NO.	C	WEIGHT
RS243606	6"	450 LBS.
RS243612	12"	900 LBS.



DESIGN LOAD: H-20 FULL TRAFFIC.

FOR COMPLETE DESIGN AND PRODUCT
INFORMATION CONTACT JENSEN PRECAST.

Jensen Precast reserves the right to make changes to product design and/or dimensions without notice. Please contact Jensen Precast whenever necessary for confirmation or advice on product design.

