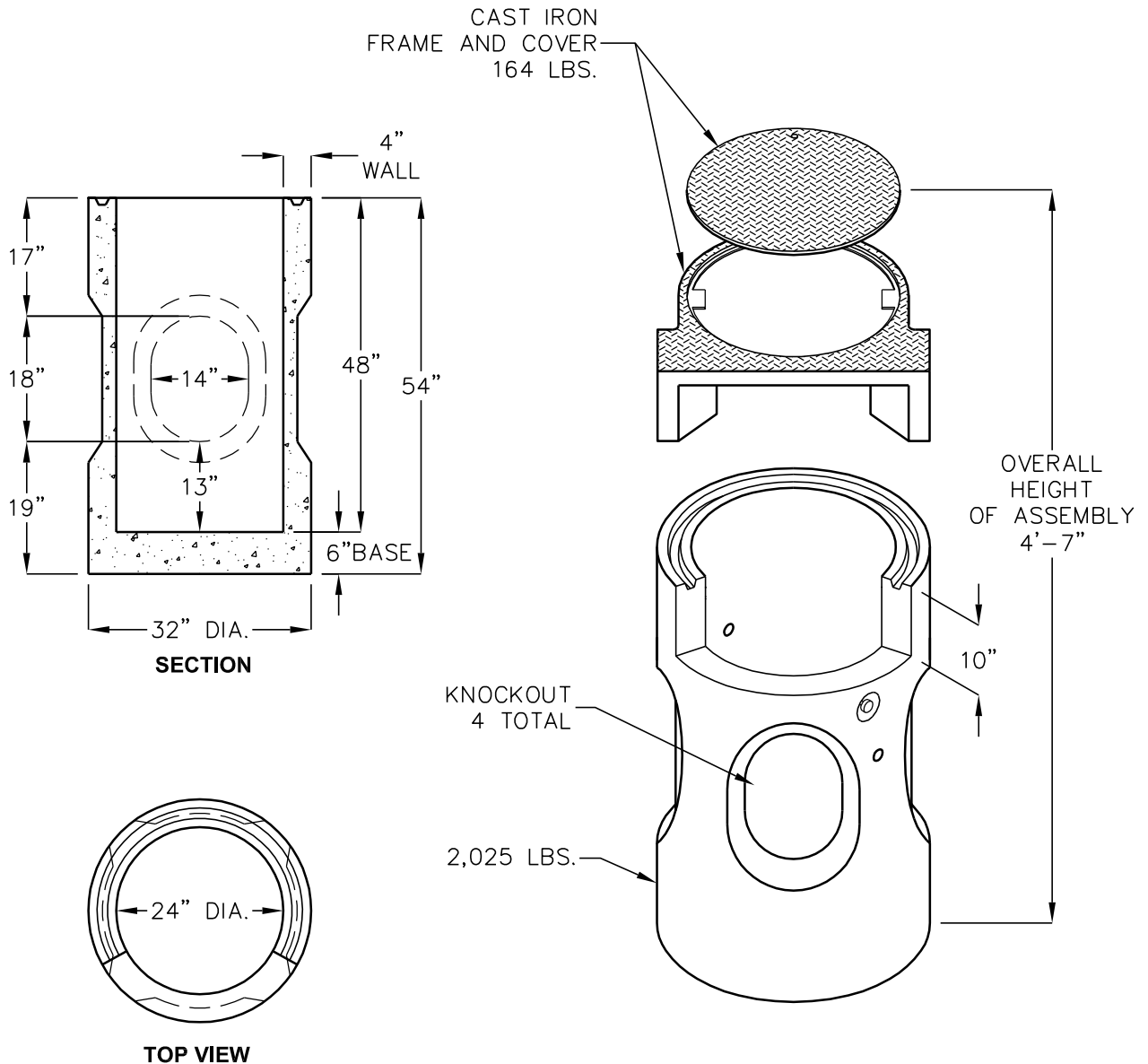


**MEETS REQUIREMENTS FOR  
STANDARD DETAILS FOR  
PUBLIC WORKS  
CONSTRUCTION**

**TYPE 1 CATCH BASIN**

# NO. 243 CURB INLET WITH FRAME AND COVER



DESIGN LOAD: NON-TRAFFIC.

FOR COMPLETE DESIGN AND PRODUCT  
INFORMATION CONTACT JENSEN PRECAST.

Jensen Precast reserves the right to make changes to product design and/or dimensions without notice. Please contact Jensen Precast whenever necessary for confirmation or advice on product design.

4/2/2008  
DI243\_NONV\_B.DWG  
© 2008

**JENSEN**  
PRECAST