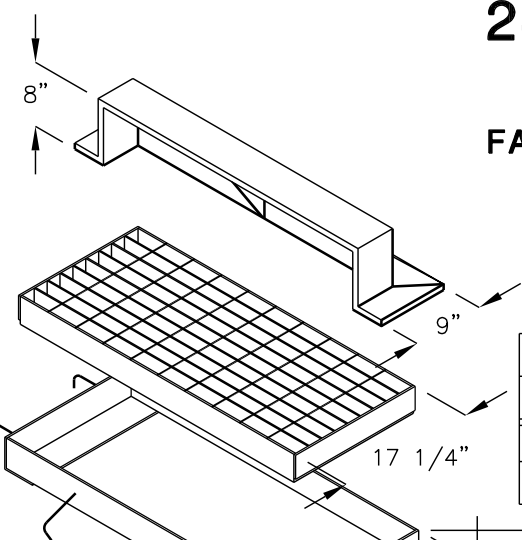
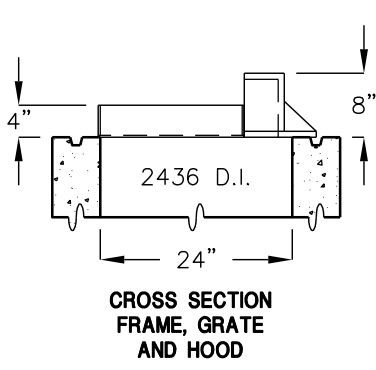


MEETS REQUIREMENTS FOR:
**CITY OF SACRAMENTO
 PUBLIC WORKS AGENCY**
TYPE B DROP INLET

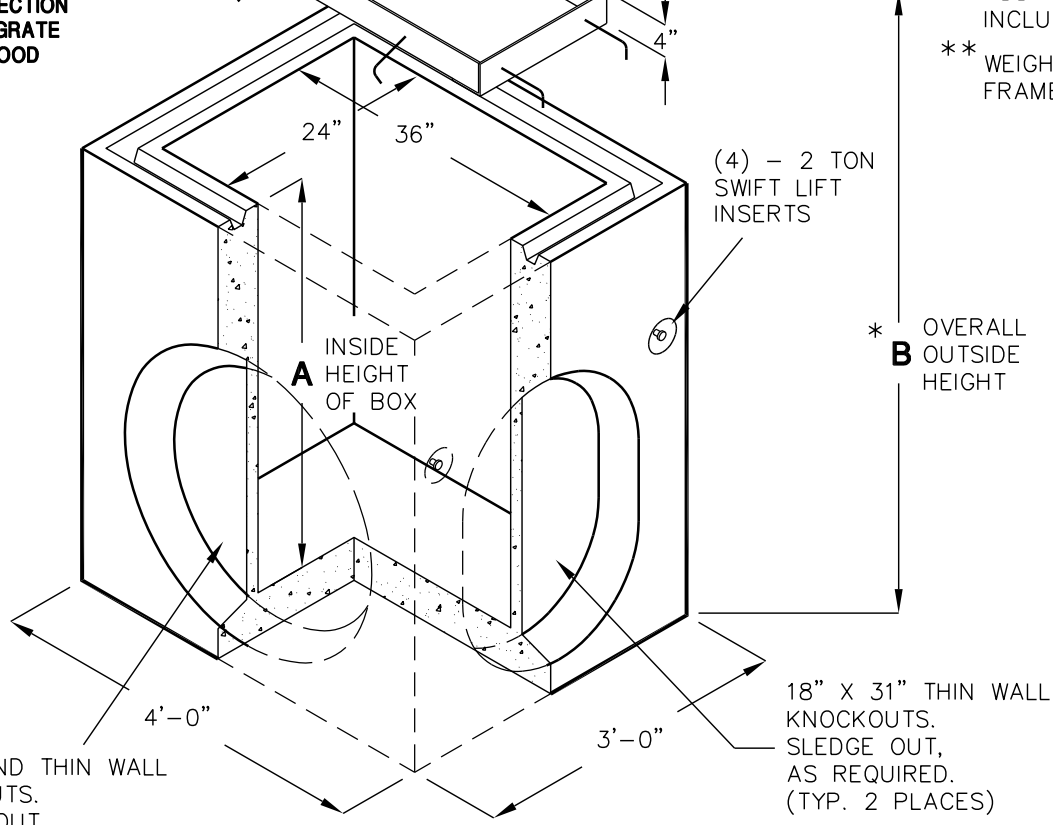
2436 CURB INLET

24"X36" CURB INLET
 WITH CAST IRON HOOD,
 FABRICATED FRAME & GRATE



BOX DETAIL			
MODEL NO.	A	*B	** WEIGHT
2436HDI-36	36"	*46"	3028 LBS.
2436HDI-48	48"	*58"	3889 LBS.

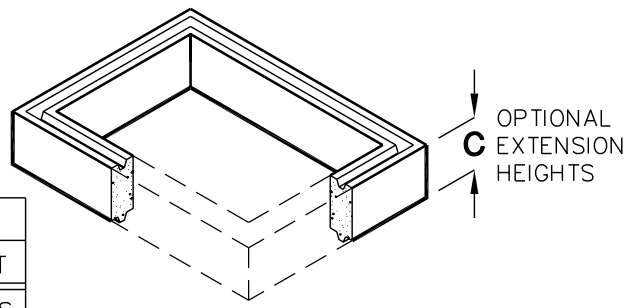
* ADD 4" TO
 INCLUDE HOOD
 ** WEIGHT IS MINUS
 FRAME & GRATE



31" ROUND THIN WALL
 KNOCKOUTS.
 SLEDGE OUT,
 AS REQUIRED.
 (TYP. 2 PLACES)

DESIGN LOAD:
 H-20 TRAFFIC,
 UP TO 12' DEPTH.

FOR COMPLETE DESIGN,
 AND PRODUCT INFORMATION,
 CONTACT JENSEN PRECAST.



EXTENSION DETAIL		
MODEL NO.	C	WEIGHT
2436-R6	6"	450 LBS.
2436-R12	12"	900 LBS.