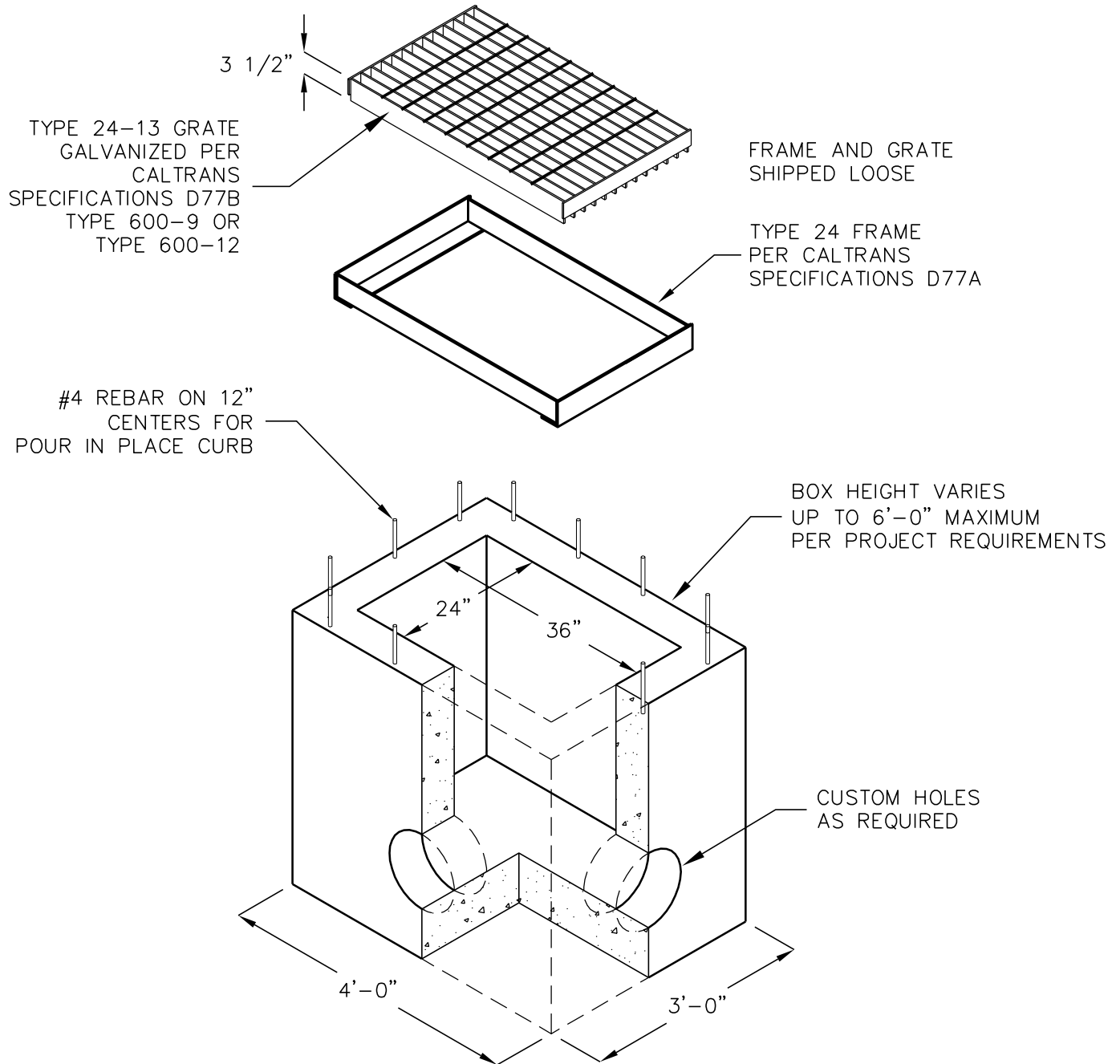


TYPE G3 CURB INLET

CALTRANS G3 DRAINAGE INLET



BOX DESIGN LOAD: H-20 TRAFFIC.

- MAXIMUM DEPTH IS 6'-0".
- MANHOLE STEPS ARE REQUIRED FOR BOXES OF 30" DEPTH OR GREATER.
- 8" BASE THICKNESS.

FOR COMPLETE DESIGN AND PRODUCT INFORMATION
CONTACT JENSEN PRECAST.