

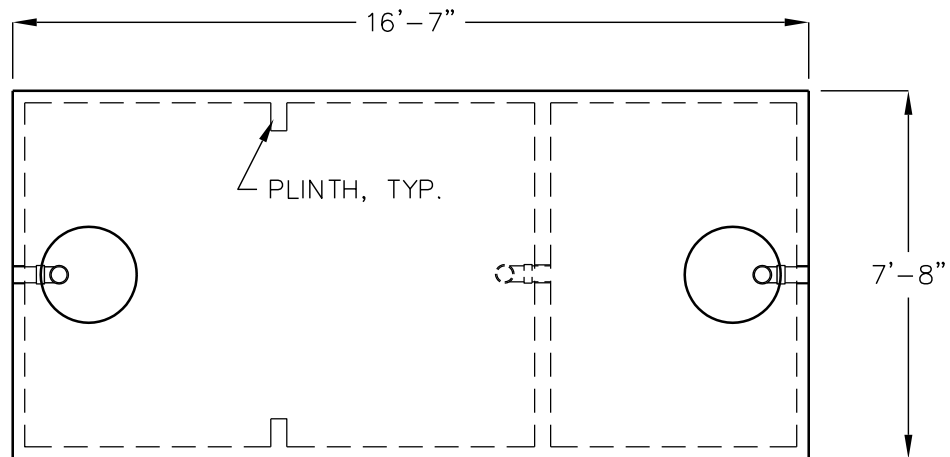
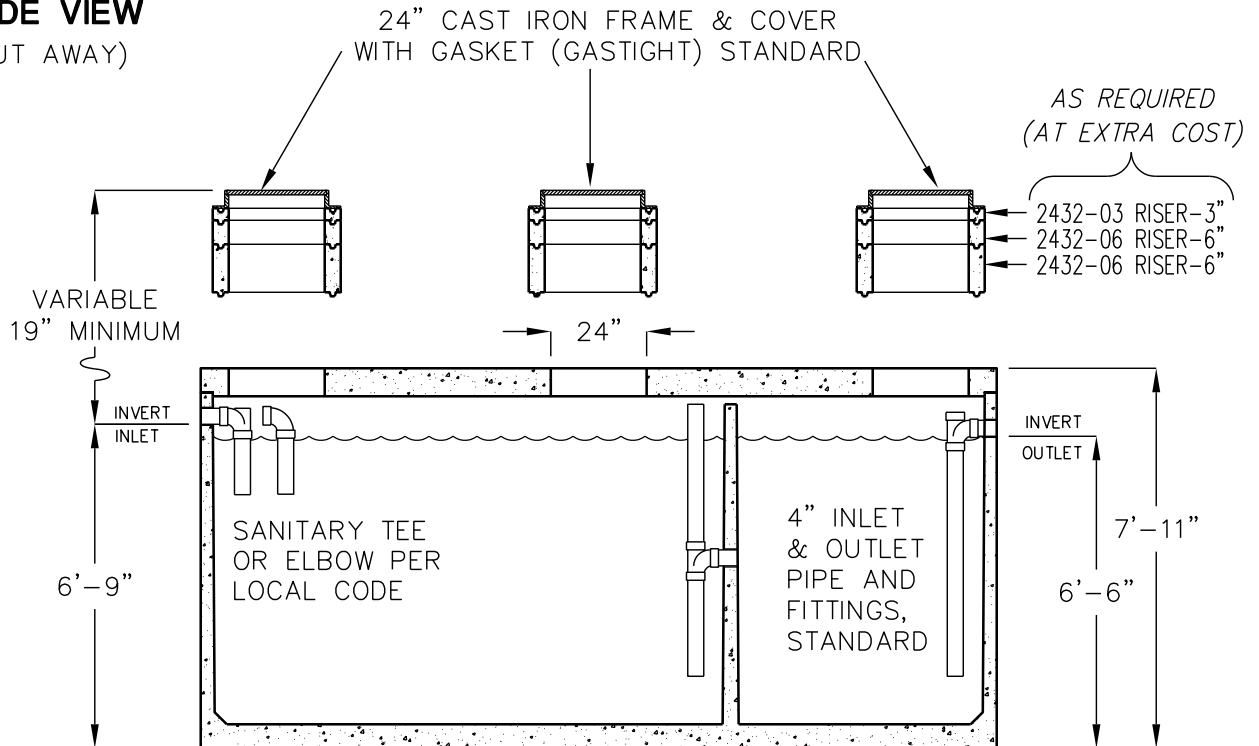
5000 GALLON SAND-OIL INTERCEPTOR

MODEL JZ5000ECE-SO

ACCEPTED BY UPC®

SIDE VIEW

(CUT AWAY)



TOP VIEW

(COVERS REMOVED)

LIQUID CAPACITY: 5,000 GALLONS.

BOX DESIGN LOAD: H-20 TRAFFIC FROM 1' TO 4' OF SOIL COVER.

FOR COMPLETE DESIGN AND PRODUCT INFORMATION CONTACT JENSEN PRECAST.