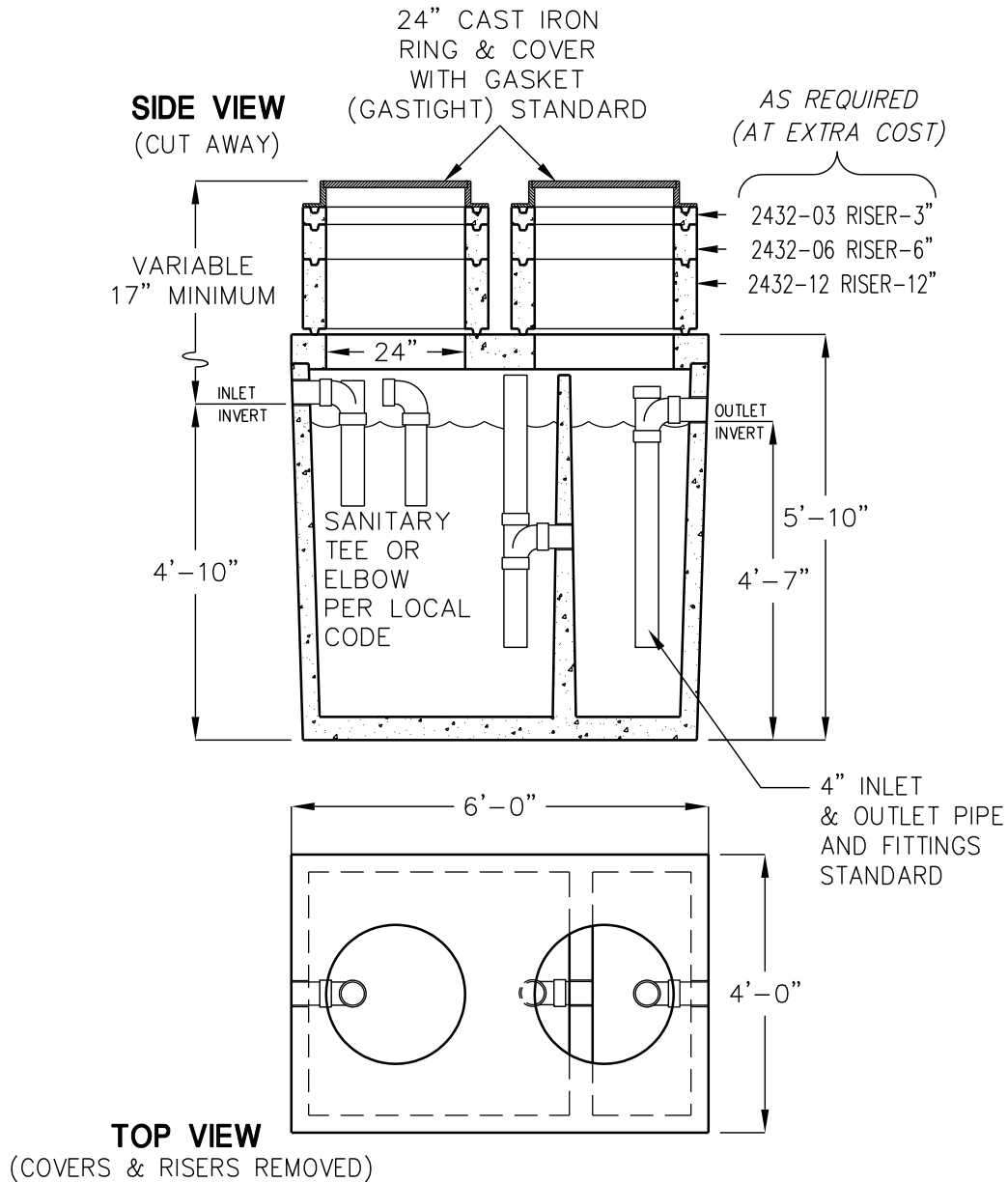


500 GALLON SAND-OIL INTERCEPTOR

MODEL JP500EE-SO
ACCEPTED BY UPC®



LIQUID CAPACITY: 500 GALLONS.

BOX DESIGN LOAD: H-20 TRAFFIC FROM 1' TO 6' OF SOIL COVER.

FOR COMPLETE DESIGN AND PRODUCT INFORMATION CONTACT JENSEN PRECAST.