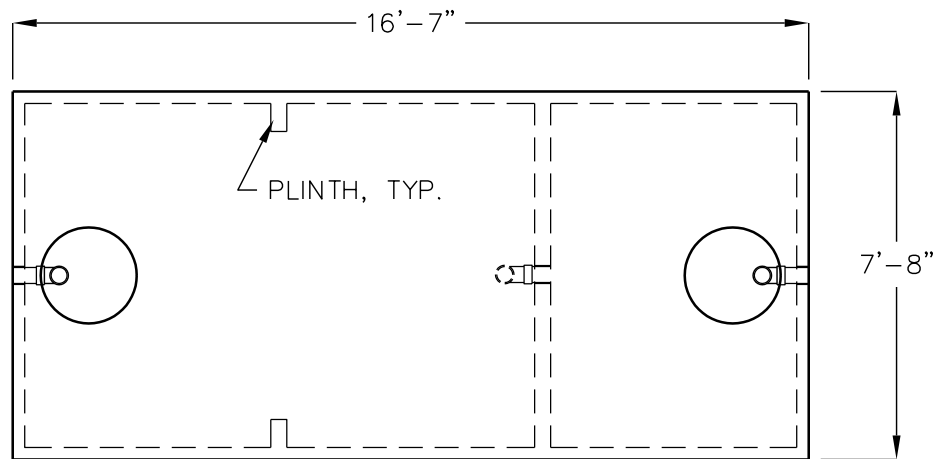
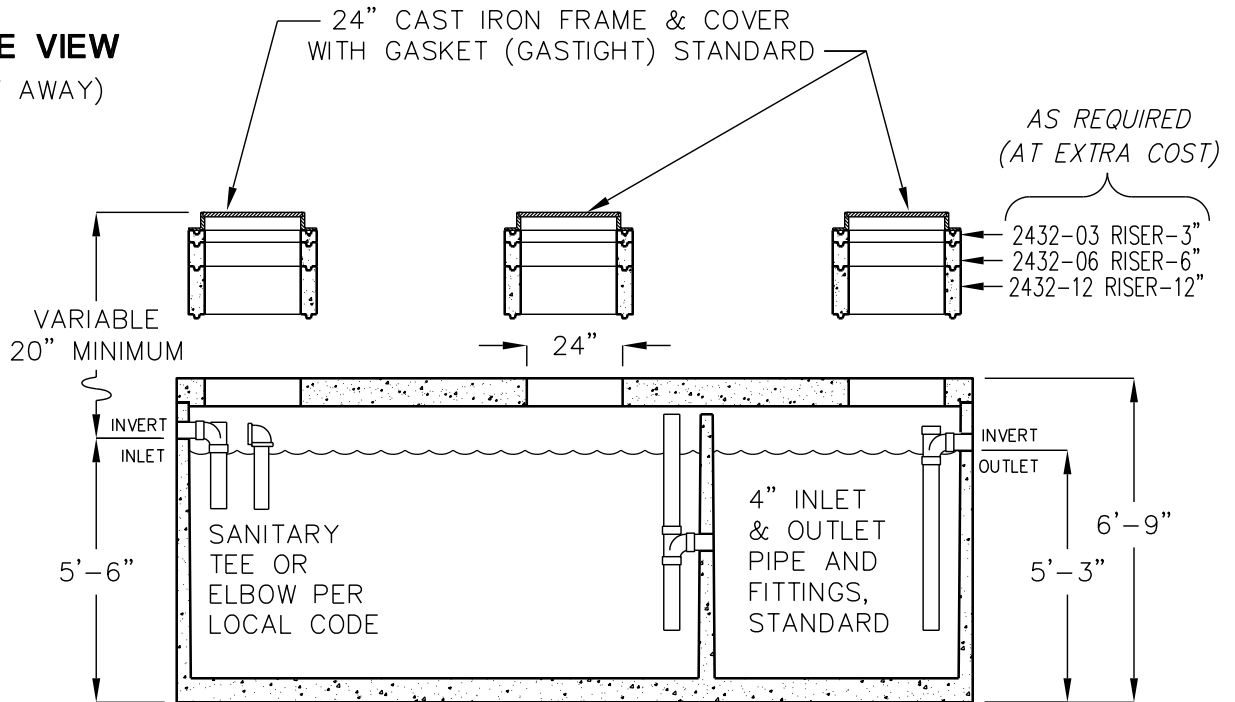


# 4000 GALLON SAND-OIL INTERCEPTOR

MODEL JZ4000ECE-SO

ACCEPTED BY UPC®

**SIDE VIEW**  
(CUT AWAY)



**TOP VIEW**  
(COVERS REMOVED)

LIQUID CAPACITY: 4,000 GALLONS.

BOX DESIGN LOAD: H-20 TRAFFIC FROM 1' TO 5' OF SOIL COVER.

FOR COMPLETE DESIGN AND PRODUCT INFORMATION CONTACT JENSEN PRECAST.