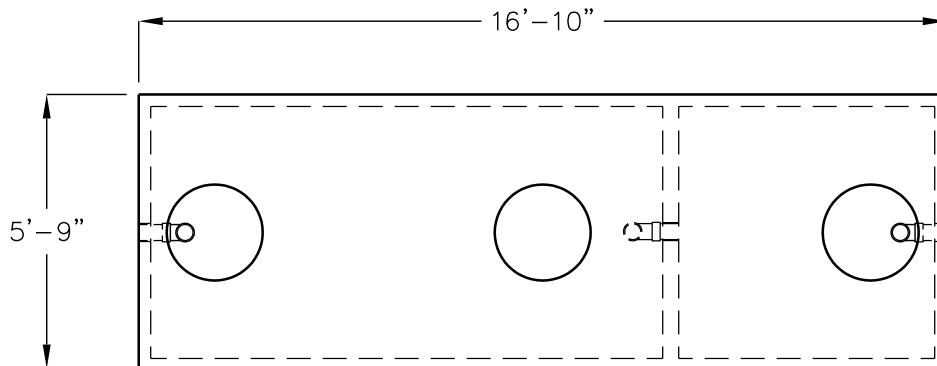
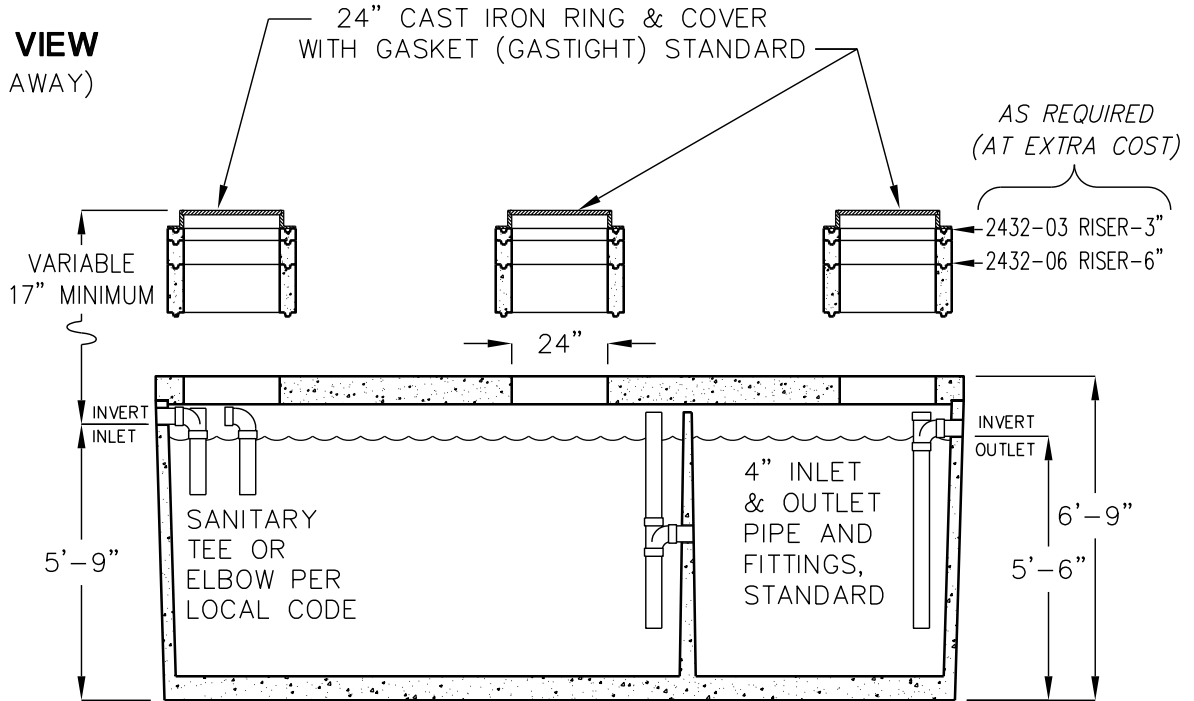


3000 GALLON SAND-OIL INTERCEPTOR

MODEL JZ3000ECE-SO

ACCEPTED BY UPC®

SIDE VIEW
(CUT AWAY)



TOP VIEW
(COVERS REMOVED)

LIQUID CAPACITY: 3,000 GALLONS.

BOX DESIGN LOAD: H-20 TRAFFIC FROM 1' TO 5' OF SOIL COVER.

FOR COMPLETE DESIGN AND PRODUCT INFORMATION CONTACT JENSEN PRECAST.

*NOTE: THE PRECAST CONCRETE UNITS SHALL BE PLACED ON LEVEL UNDISTURBED SOIL, OR APPROVED COMPACTED FILL. TWO 2x6 REDWOOD GRADE BOARDS SHALL BE PLACED BELOW THE TANK SIDE WALLS ALONG THE LONG DIMENSION.