

5'-0" x 10'-6" CITY OF CORONA PMH MANHOLE x 7'-0" DEEP

MATERIAL LIST K5106-PUV84-11				
ITEM	PART NO.	DESCRIPTION	REBAR NO./LOCATE	AMOUNT/WEIGHT
1	UV5106-B42-39	42" BOTTOM SECTION - WITH 6" TERMS.	CG-5106-B42-11(4)	14,778 lbs
2	UV5106-T42-11P	42" TOP SECTION PMH	CG-5106-T42-11P(6)	14,151 lbs
3	KNOCK OUT	14"x13" DIA. SUMP x 3" DEEP w/RECESS		(2) CORE
4	55-30-61	6" DIA. CONTERMS CAST-IN		BOTTOM SECTION (24) SHELL
5	55-35-06	7/8" DIA x 6" GALV. PULL IRON		TOP & BTM. SECTION (4) CORE
6	55-10-425	1/2" THREADED BRONZE GROUND INSERT WELD TO REBAR "GRD" SHOULD BE STENCILED IN RED LETTERS		BOTTOM SECTION (2) CORE TOP SECTION (4) CORE
7	55-10-424	1/2" PLASTIC INSERT		TOP SECTION (6) CORE BOTTOM SECTION (16) CORE
8	55-10-422	1/2" LOOP INSERT		BOTTOM SECTION (4) CORE
11	HOLE	61"x 60" THRU. OPENING w/1/4" DEEP ADAPTER PLATE RECESS		TOP SECTION (1) CORE
12	55-10-310	3/8" P-25-T INSERT		TOP SECTION (4) SURFACE
13		CLEAN OUT HOLE		TOP SECTION (4) FRAME
14	55-30-01	30" DIA. A-1106 N'S CAST IRON FRAME		TOP SECTION (1) CORE

FOLLOWING MATERIAL TO BE SHIPPED WITH MANHOLE

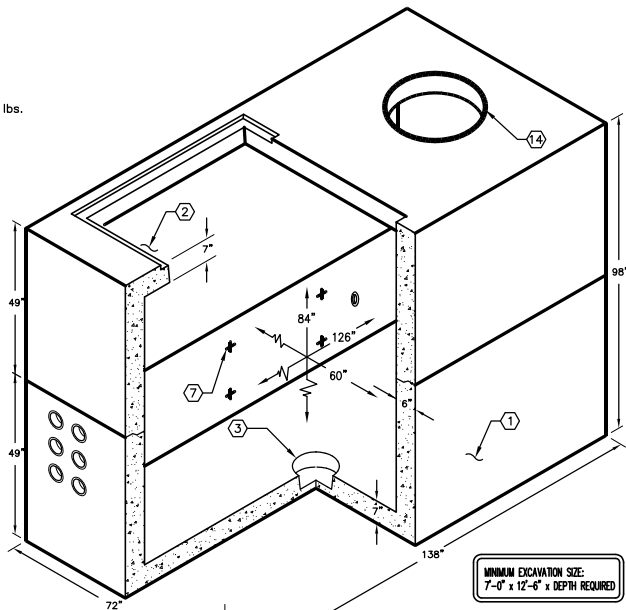
- (a) 7/8" x 1 3/4" CONSEAL GASKET (33 FT. REQUIRED)
- (b) 1/2" x 6" GALVANIZED "J" BOLTS ATTACHED TO 1/2" LOOP INSERTS CAST-IN THE TOP SECTION (4 REQ'D)
- (c) PMH STEEL ADAPTER PLATE--PART No. SC5106-PUV ATTACHED IN CONCRETE RECESS IN TOP SECTION WITH (2) 3/8" X 1" S.S. FLAT HEAD SCREWS PRIOR TO SHIPMENT (1 REQ'D)
- (d) A-1106 CAST IRON RING AND COVER "CORONA ELECTRIC". (4) 5/8" X 1/2" S.S. HEX HEAD BOLTS WITH CAPTIVE S.S. WASHER PRIOR TO SHIPMENT (1 REQ'D)

NOTES:

- MANHOLE DESIGNED FOR PARKWAY LOADING USING 5500 PSI [37.92MPa] COMPRESSIVE STRENGTH CONCRETE AND 60,000 PSI [413.2MPa] YIELD STRENGTH ASTM A-706 STEEL REINFORCEMENT PER CALC. #51649.
- MANHOLE TO BE PLACED ON A MIN. 6" CRUSHER RUN FOR EASE OF INSTALLATION AND EVEN LOAD DISTRIBUTION.
- ALL WALLS AND CEILINGS SHALL BE PAINTED WHITE.
- TOP SURFACE OF TOP SECTION SHALL HAVE A LIGHT BROOM FINISH.
- STRUCTURAL DESIGN APPROVED BY LOS ANGELES COUNTY ROAD AND BRIDGE DEPARTMENT.

ORDERING INFORMATION:

K5106-PUV84-39 FOR ASSEMBLY AS SHOWN.
TOTAL WEIGHT OF ASSEMBLY AS SHOWN IS 27,989 lbs.



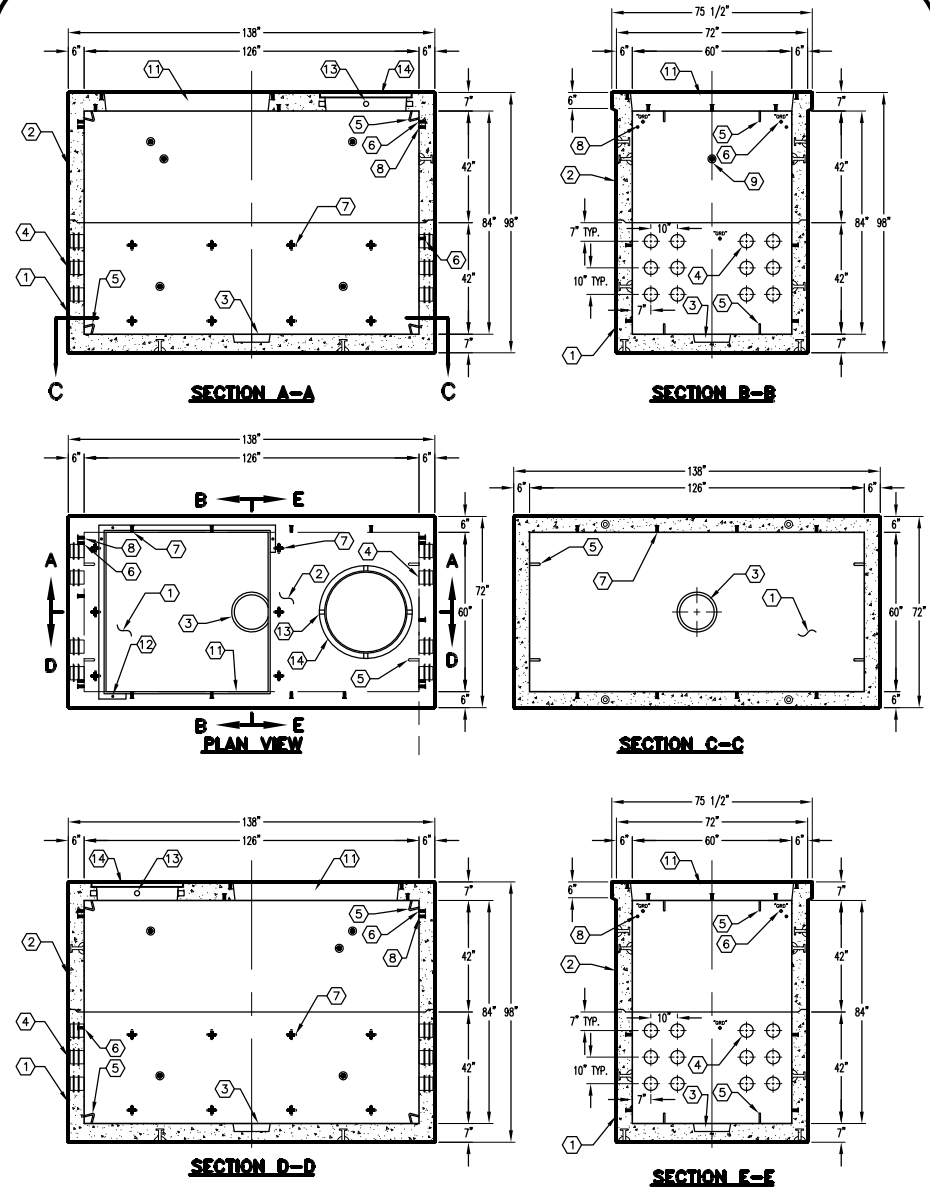
MINIMUM EXCAVATION SIZE:
7'-0" x 12'-6" x DEPTH REQUIRED

K5106-PUV84-39

PER CITY OF CORONA SPEC. 04-23-04

JENSEN PRECAST

AUTOCAD REL. 14



JENSEN PRECAST

#	DATE	DESCRIPTION	BY

K5106-PUV84-39

PER CITY OF CORONA SPEC. 04-23-04