

3'-0" x 5'-0" CITY OF CORONA INTERCEPT BOX x 50" DEEP

NOTES:

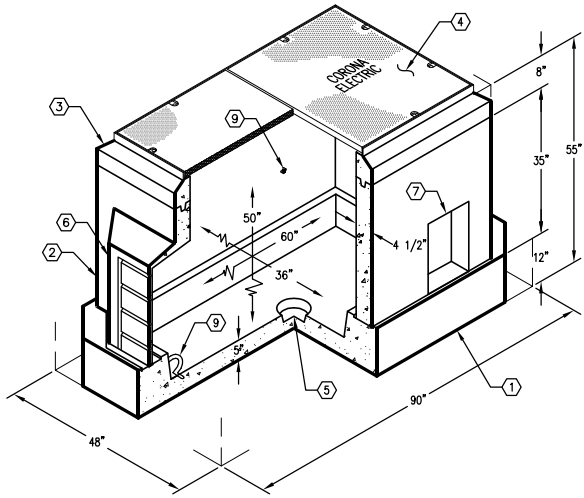
- BOX DESIGNED IN ACCORDANCE WITH AASHTO H-20-44 TRAFFIC BRIDGE LOADING USING 5,500 PSI COMPRESSIVE STRENGTH CONCRETE AND 60,000 PSI YIELD STRENGTH ASTM A-706 STEEL REINFORCEMENT.
- MANHOLE TO BE PLACED ON A 6" BASE OF CRUSHER RUN FOR EASE OF INSTALLATION AND END LOAD DISTRIBUTION.

1. PB3660-B7, 7" BOTTOM SECTION, WT. 2,999 lbs.
2. PB3660-I35-05, 35" INTERMEDIATE SECTION, WT. 2,852 lbs.
3. PB3660-T8A, 8" TOP SECTION, W/ F3660-PB-ANG, CAST-IN ANGLE FRAME, WT. 548 lbs.
- 4A. SC3660-TGV, TWO PIECE TRAFFIC COVER, GALVANIZED FINISH, MARKED "CORONA ELECTRIC", WT. 426 lbs. (NOT SHOWN).
- 4B. 12-20-XX, TWO PIECE RPM PARKWAY COVER, MARKED "CORONA ELECTRIC", (AS SHOWN)
5. 6" x 7" DIA. SUMP x 2" DEEP, BOTTOM SECTION.
6. 18" x 24" DUCTED K.O. x 11" DEEP, INTERMEDIATE SECTION.
7. 5" x 10" K.O. x 3" DEEP, INTERMEDIATE SECTION.
8. 7/8" DIA. x 9" PULL IRON, BOTTOM SECTION.
9. 1/2" PLASTIC INSERT, INTERMEDIATE SECTION.
10. 1/2" P-35-T INSERT, W/CLEAN-OUT HOLE, TOP SECTION.

ORDERING INFORMATION:

APPROVED FOR CITY OF CORONA
TOTAL WEIGHT OF ASSEMBLY SHOWN IS 6,618 lbs.

**LIGHT TRAFFIC ASSEMBLY WITH STEEL COVER K3660-DI50-39T.
PARKWAY ASSEMBLY WITH RPM COVER K3660-DI50-39P.**



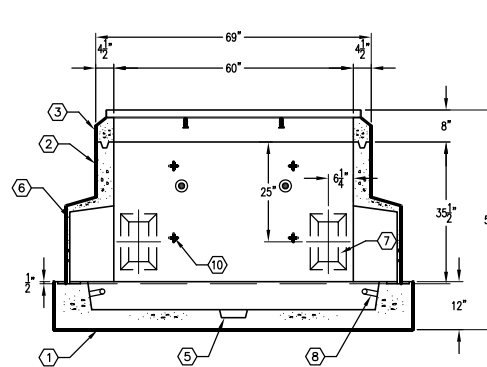
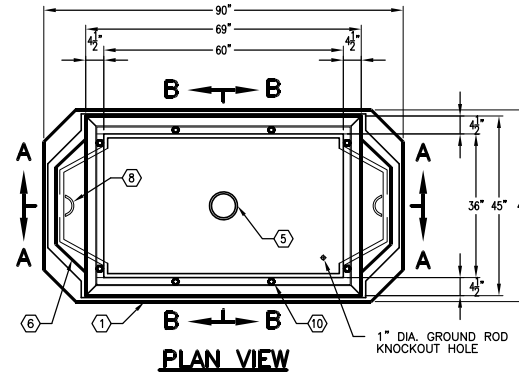
MINIMUM EXCAVATION SIZE:
4'-6" x 8'-0" x DEPTH REQD.

K3660-DI50-39

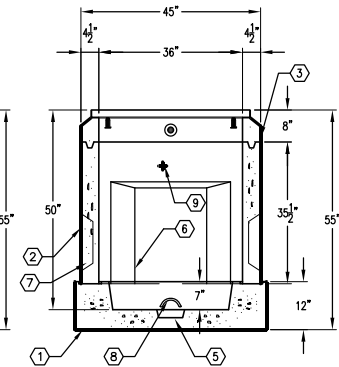
PER CITY OF CORONA SPEC. 04-23-04

JENSEN PRECAST

AUTOCAD 2000



SECTION A-A



SECTION B-B

JENSEN PRECAST

#	DATE	DESCRIPTION	BY

K3660-DI50-39

PER CITY OF CORONA SPEC. 04-23-04