

2'-0" x 3'-0" CITY OF CORONA DUCTED PULL BOX x 3'-0" DEEP

NOTES:

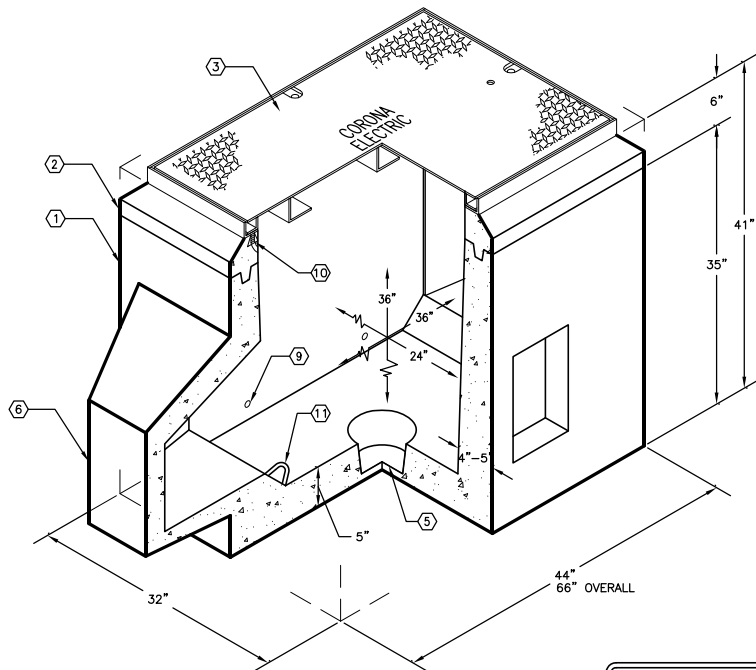
- PULL BOX DESIGNED IN ACCORDANCE WITH AASHTO H-20-44 TRAFFIC BRIDGE LOADING USING 5,500 PSI COMPRESSIVE STRENGTH CONCRETE AND 60,000 PSI YIELD STRENGTH ASTM A-706 STEEL REINFORCEMENT.
 - STEEL COVER DESIGNED FOR H-20-44 TRAFFIC LOADING.
 - RPM COVER DESIGNED FOR PARKWAY LOADING.
 - PULL BOX TO BE PLACED ON A MIN 6" BASE OF CRUSHER RUN FOR EASE OF INSTALLATION AND END LOAD DISTRIBUTION.
1. PB2436D-B30-05, 30" BOTTOM SECTION, WT. 1,822 lbs.
 2. PB2436-T6E, 6" TOP SECTION, W/F2436-PB-ANG GALV. FRAME CAST IN. WT. 185 lbs.
 - 3A. SC2436-TGV, ONE PIECE TRAFFIC COVER, GALVANIZED FINISH, MARKED "CORONA ELECTRIC". WT. 134 lbs. (AS SHOWN).
 - 3B. 12-20-XX, ONE PIECE RPM COVER, MARKED "CORONA ELECTRIC". (NOT SHOWN).
 5. 6" x 7" DIA. SUMP x 4" DEEP, BOTTOM SECTION.
 6. 11" x 11" DUCTED K.O. x 13 1/2" DEEP, BOTTOM SECTION.
 7. 8" x 16" K.O. x 3" DEEP, BOTTOM SECTION.
 8. 1" DIA. BLIND GROUND ROD HOLE, BOTTOM SECTION.
 9. 1/2" P-35-T INSERT, BOTTOM SECTION (8) CORE MTD.
 10. 1/2" P-35-T INSERT W/CLEAN-OUT HOLE, TOP SECTION. (4) SURFACE MTD.
 11. 7/8" DIA. X 9" VERTICAL GALV. PULL IRON, BOTTOM SECTION. (2) CORE MTD.

ORDERING INFORMATION:

PER CITY OF CORONA SPEC.
TOTAL WEIGHT OF ASSEMBLY SHOWN IS 2,150 lbs.

PARKWAY ASSEMBLY WITH RPM COVER **K2436-DP36-39P**

LIGHT TRAFFIC ASSEMBLY WITH STEEL COVER **K2436-DP36-39T**



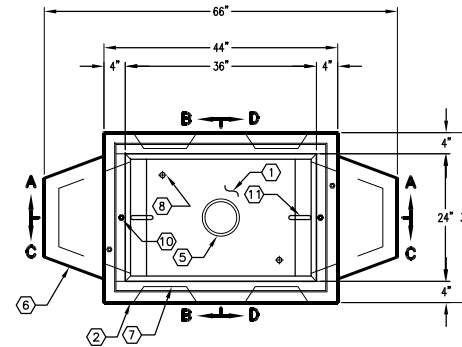
MINIMUM EXCAVATION SIZE:
3'-8" x 6'-6" x DEPTH REQ'D.

K2436-DP36-39

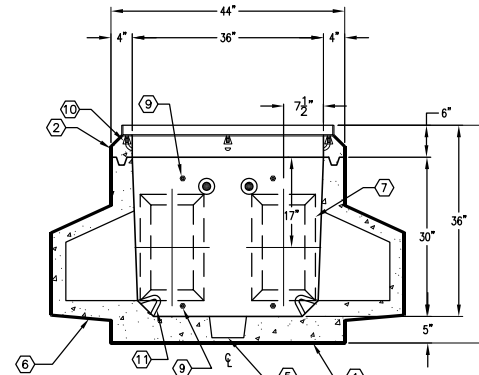
PER CITY OF CORONA SPEC. 04-23-04

JENSEN
PRECAST

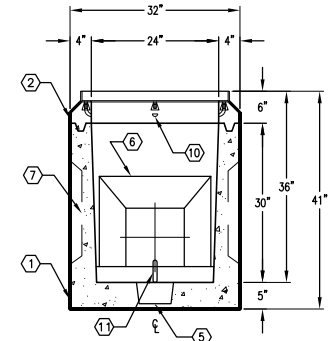
AUTOCAD 2000



PLAN VIEW



SECTION C-C



SECTION D-D

JENSEN
PRECAST

#	DATE	DESCRIPTION	BY

K2436-DP36-39

PER CITY OF CORONA SPEC. 04-23-04