

6'-0" x 12'-0" AZUSA VAULT x 7'-0" DEEP

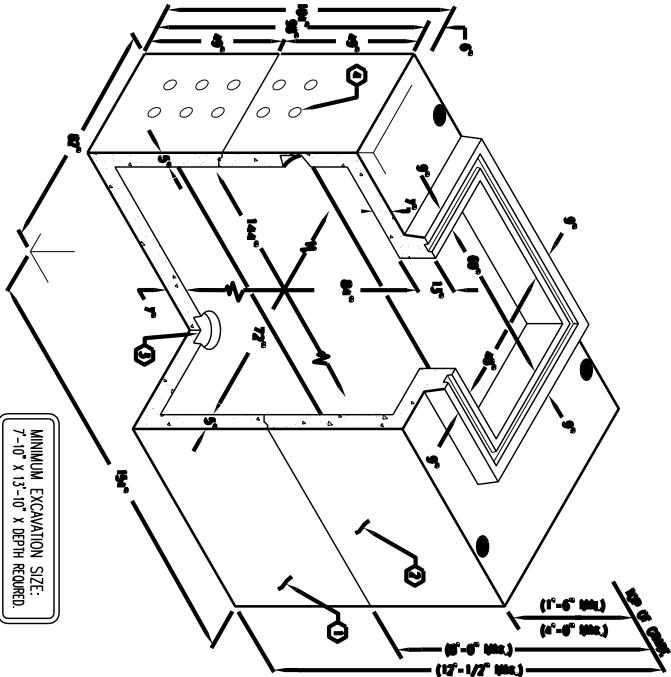
NOTES:

1. VAULT EXCAVATED BY ACCORDANCE WITH AZUSA PRECAST CONCRETE SYSTEM. SEE DRAWING FOR (1) FINISH CONCRETE TOP SURFACE, (2) CONCRETE AND GROUT JOINT, (3) CONCRETE AND GROUT JOINT, (4) CONCRETE AND GROUT JOINT, (5) CONCRETE AND GROUT JOINT, (6) CONCRETE AND GROUT JOINT, (7) CONCRETE AND GROUT JOINT, (8) CONCRETE AND GROUT JOINT, (9) CONCRETE AND GROUT JOINT, (10) CONCRETE AND GROUT JOINT.
2. VAULT TO BE PLACED ON A MIN. 6" BENT OR CONCRETE FOUNDATION.
3. LIFT OF CONCRETE OVER TOP SECTION IS 1'-0" TO 2'-0".
4. LIFT OF CONCRETE OVER BOTTOM SECTION IS 10'-0" TO 15'-0".
5. ALL WALLS AND COINGS TO BE PLACED WITH GREAT CARE.
6. STRUCTURE, DESIGN APPROVED BY LOS ANGELES COUNTY ROAD AND BRIDGE DEPARTMENT.
7. FOLLOWING MATERIALS TO BE SUBMITTED WITH BILLS OF MATERIALS:
  - (a) 1/2" ± 6" CALWALDED "C" BARS (4 REQ'D)
  - (b) 1/8" ± 1 3/4" CONSOLE CORSET (50 FT. REQ'D)

GENERAL NOTES:  
 1. Minimum soil bearing capacity is assumed to be 2000 P.S.F. per square foot. The design is based on a conservative soil strength of 1000 P.S.F. per square foot. The design is based on a conservative soil strength of 1000 P.S.F. per square foot. The design is based on a conservative soil strength of 1000 P.S.F. per square foot.

2. The design is based on a conservative soil strength of 1000 P.S.F. per square foot. The design is based on a conservative soil strength of 1000 P.S.F. per square foot. The design is based on a conservative soil strength of 1000 P.S.F. per square foot.
3. The design is based on a conservative soil strength of 1000 P.S.F. per square foot. The design is based on a conservative soil strength of 1000 P.S.F. per square foot. The design is based on a conservative soil strength of 1000 P.S.F. per square foot.
4. The design is based on a conservative soil strength of 1000 P.S.F. per square foot. The design is based on a conservative soil strength of 1000 P.S.F. per square foot. The design is based on a conservative soil strength of 1000 P.S.F. per square foot.
5. The design is based on a conservative soil strength of 1000 P.S.F. per square foot. The design is based on a conservative soil strength of 1000 P.S.F. per square foot. The design is based on a conservative soil strength of 1000 P.S.F. per square foot.
6. The design is based on a conservative soil strength of 1000 P.S.F. per square foot. The design is based on a conservative soil strength of 1000 P.S.F. per square foot. The design is based on a conservative soil strength of 1000 P.S.F. per square foot.
7. The design is based on a conservative soil strength of 1000 P.S.F. per square foot. The design is based on a conservative soil strength of 1000 P.S.F. per square foot. The design is based on a conservative soil strength of 1000 P.S.F. per square foot.
8. The design is based on a conservative soil strength of 1000 P.S.F. per square foot. The design is based on a conservative soil strength of 1000 P.S.F. per square foot. The design is based on a conservative soil strength of 1000 P.S.F. per square foot.
9. The design is based on a conservative soil strength of 1000 P.S.F. per square foot. The design is based on a conservative soil strength of 1000 P.S.F. per square foot. The design is based on a conservative soil strength of 1000 P.S.F. per square foot.
10. The design is based on a conservative soil strength of 1000 P.S.F. per square foot. The design is based on a conservative soil strength of 1000 P.S.F. per square foot. The design is based on a conservative soil strength of 1000 P.S.F. per square foot.

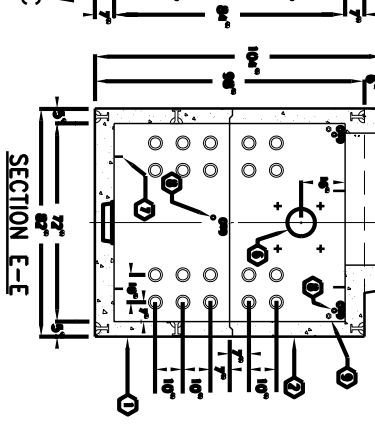
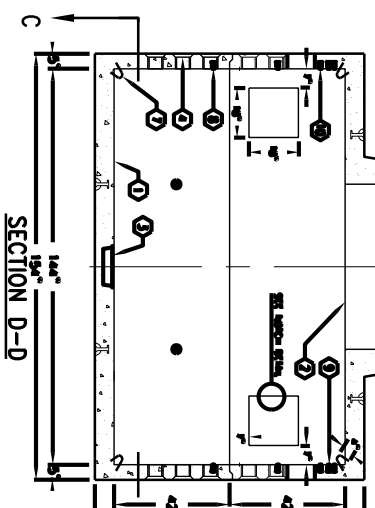
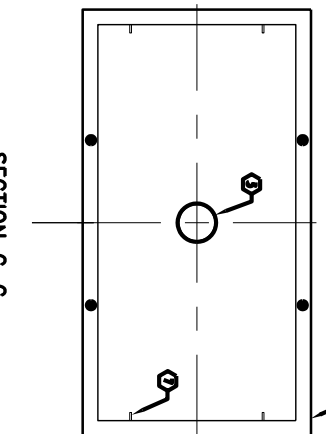
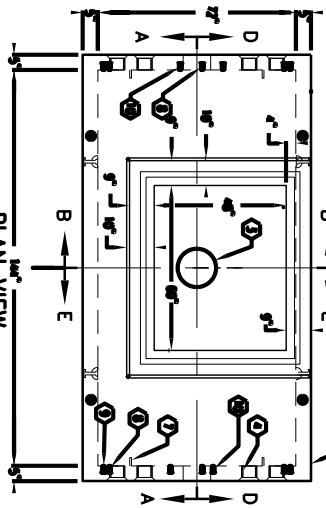
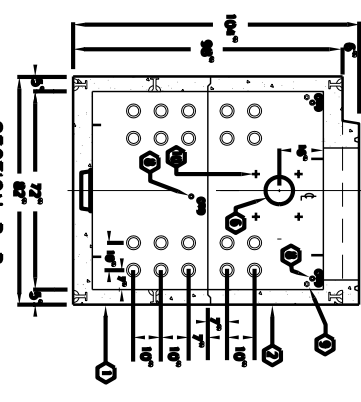
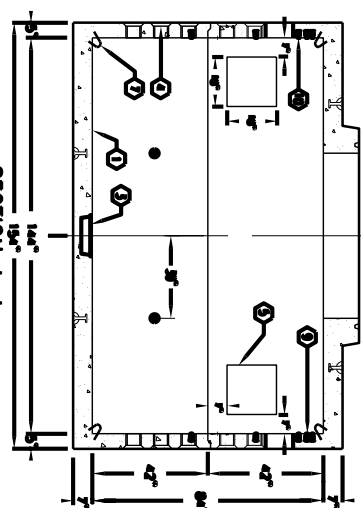
1. UN12-802-11, 4" BOTTOM SECTION, 6" LEGS, 1800 PSI.
2. UN12-802-11, 4" TOP SECTION, 6" LEGS, 1800 PSI.
3. UN12-802-11, 4" TOP SECTION, 6" LEGS, 1800 PSI.
4. UN12-802-11, 4" TOP SECTION, 6" LEGS, 1800 PSI.
5. UN12-802-11, 4" TOP SECTION, 6" LEGS, 1800 PSI.
6. UN12-802-11, 4" TOP SECTION, 6" LEGS, 1800 PSI.
7. UN12-802-11, 4" TOP SECTION, 6" LEGS, 1800 PSI.
8. UN12-802-11, 4" TOP SECTION, 6" LEGS, 1800 PSI.
9. UN12-802-11, 4" TOP SECTION, 6" LEGS, 1800 PSI.
10. UN12-802-11, 4" TOP SECTION, 6" LEGS, 1800 PSI.



MINIMUM EXCAVATION SIZE:  
 7'-10" X 13'-10" X DEPTH REQUIRED



K612-FV84-31  
 PER CITY OF AZUSA DMC 018  
 03-01-02



K612-FV84-31  
 PER CITY OF AZUSA DMC 018  
 03-01-02