

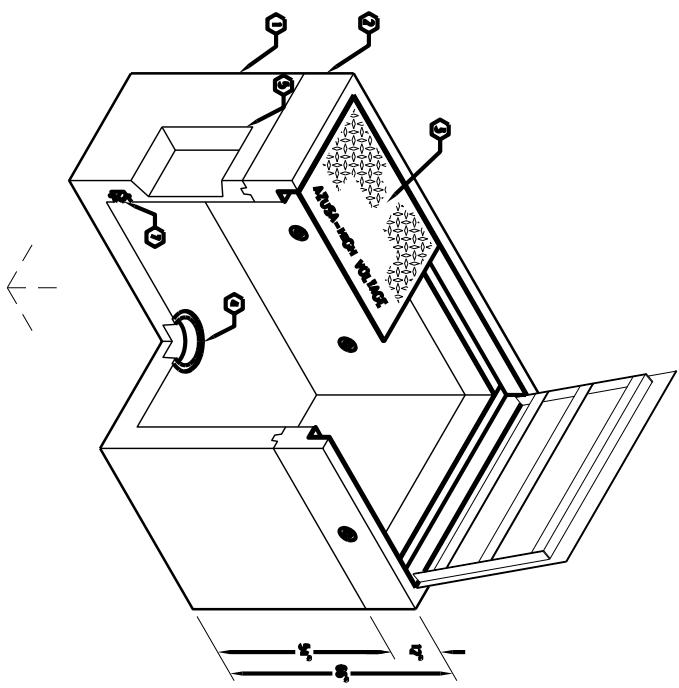
4'-0" x 6'-6" PARKWAY SPRING ASSIST PULL BOX x 60" DEEP

NOTES:

- 1. CONCRETE IS DESIGNED FOR H-20-44 MTRIC LOADING USING 5,500 PSI (37.82 MPa) COMPRESSIVE STRENGTH CONCRETE AND 60,000 PSI (413.2 MPa) YIELD STRENGTH A575-A-705 STEEL REINFORCER PER CALC. E31812.
- 2. STEEL COVER DESIGNED FOR MINIMUM USE (300 PSI).
- 3. MOTOR SURFACTS OR HAND-OUT TO BE MAINTED WITH SPENT LARIS PAINT.
- 4. HANDBOUL TO BE PLACED ON A 6" BENCH OR CHAIRS RUN FOR USE OF RESILIENT AND FOOT LOAD POSITIONING.
- 5. DIMENSIONAL REVISIONS
- 6. K466-FP60-31PSA TOP ASSSEMBLY AS SHOWN PER CITY OF ALBUQUA Dwg 0115.
- 7. TOTAL WEIGHT AS SHOWN IS 12,625 lbs.
- 8. 1" PA. GRADE AND HANDBOUL (2) BOTTOM SECTION.
- 9. 1" PA. GRADE AND HANDBOUL (2) BOTTOM SECTION.

CONSTRUCTION NOTES:

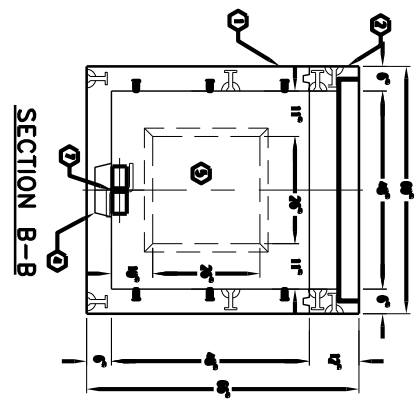
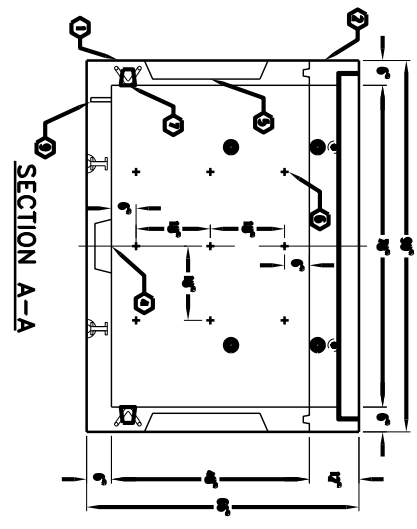
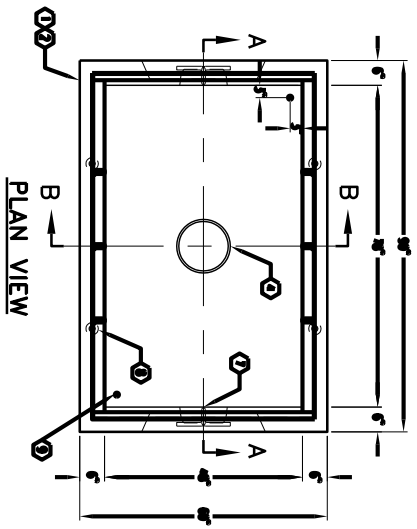
- 1. Minimum soil bearing capacity to be verified according to per 2000 PSI or greater. A geotechnical report must first be provided to Jensen Precast by the end user. Jensen Precast shall not be held responsible for inadequate bearing capacity.
- 2. Installation of the structure shall be as per Jensen Installation Procedures.
- 3. Structure is subjected to the ground load of products & not permitted without prior written approval from Jensen Precast.
- 4. Do not exceed the operating weight. If any deviations are required, notify the Jensen Engineer immediately.
- 5. The structure is designed for a maximum load of 12,625 lbs. in case of multiple cycles of discharge.
- 6. Permissible Tolerances - The height, width, height, or dia. measurements of the structure shall be measured on finished form grade elevations by the manufacturer. Tolerances: 0 to 5 Feet 1/4" 5 to 10 Feet 1/2" 10 to 20 Feet 3/4" Between the supplier and purchaser. The fabricator of the concrete components shall be aware as determined by engineer measurements. The difference between such measurements shall not exceed the following: 1/4" 1/2" 3/4" 20 Feet and over as agreed upon between the supplier and purchaser.



MINIMUM EXCAVATION SIZE:  
6'-0" x 6'-6" x 10'-0" DEPTH REQUIRED



K466-FP60-31PSA  
PER CITY OF ALBUQUA Dwg 0115  
10-26-01



K466-FP60-31PSA  
PER CITY OF ALBUQUA Dwg 0115  
10-26-01

NO.	DATE	DESCRIPTION	BY