

# 8'-0" x 10'-0" ANAHEIM TRANSFORMER PAD W/4'-0" x 7'-0" ENCLOSURE x 3'-6" DEEP

**NOTES:**

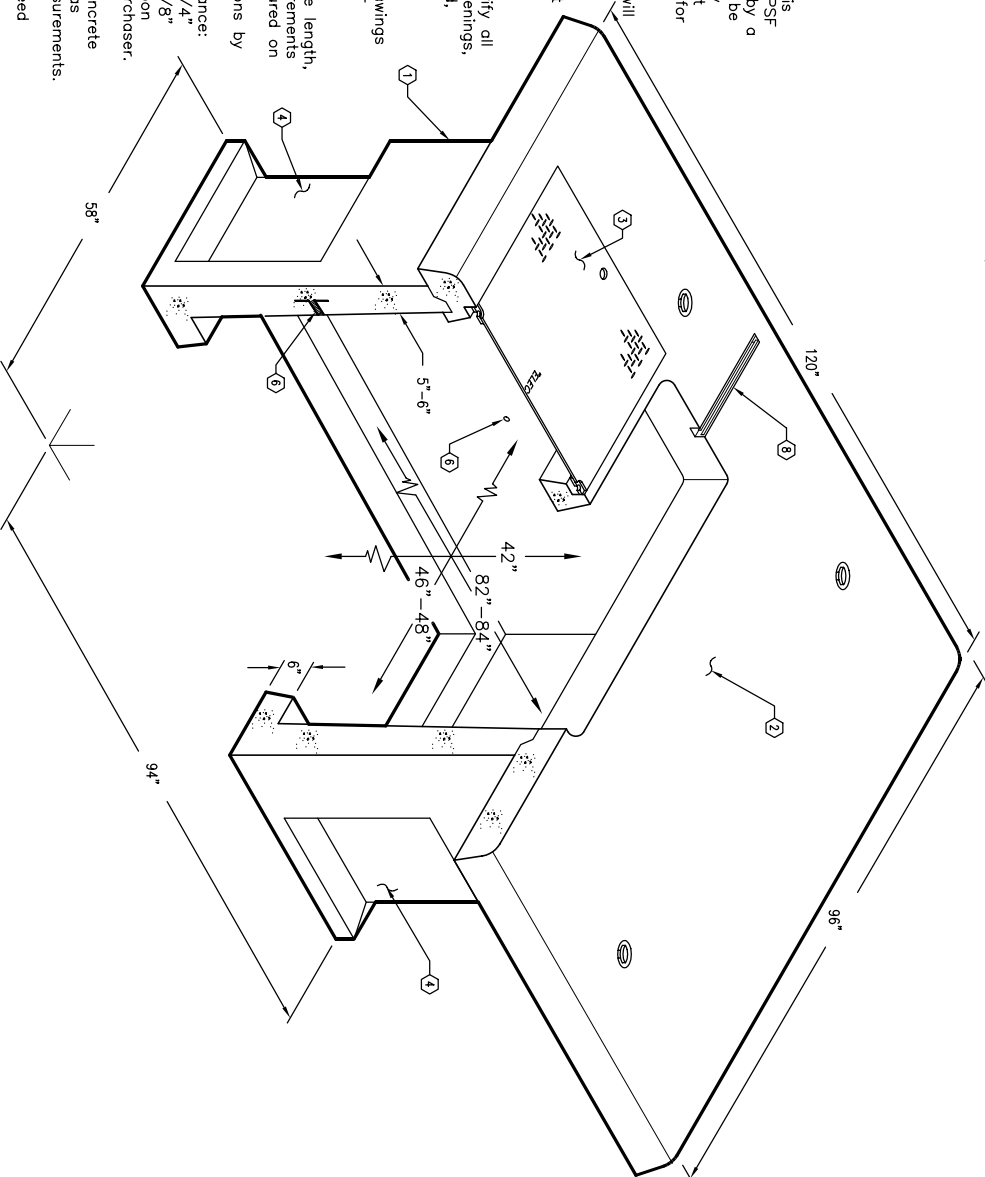
- TRANSFORMER PAD AND ENCLOSURE ARE DESIGNED FOR PARKWAY LOADING PER CALCS. #30207 USING 5,500 P.S.I. [37.92MPa] COMPRESSIVE STRENGTH CONCRETE, AND 60,000 PSI [413.2MPa] YIELD STRENGTH ASTM A-706 STEEL REINFORCEMENT.
  - COVER IS DESIGNED FOR PARKWAY LOADING PER CALCS. #30448.
  - VAULT TO BE PLACED ON A 6" BASE OF CRUSHER RUN FOR EVEN LOAD DISTRIBUTION AND EASE OF INSTALLATION.
- THE FOLLOWING MATERIAL TO BE SHIPPED WITH EACH WALL:
- (a) 7/8" x 1 3/4" CONSEAL GASKET (45 FT. REQ'D.)

**ORDERING INFORMATION:**

K810-SB42-16 FOR ASSEMBLY AS SHOWN.  
 APPROVED FOR CITY OF ANAHEIM SPEC. CU1600-20.  
 TOTAL WEIGHT OF ASSEMBLY AS SHOWN IS 11,368 Lbs.

**GENERAL NOTES:**

1. Minimum soil bearing capacity is hereby assumed to be 2000 PSF unless otherwise documented by a geotechnical report that shall be provided to Jensen Precast by the end user. Jensen Precast shall not be held responsible for the soil bearing capacity.
2. Installation of Manholes, Vaults, Handholes, Meter Boxes etc. will be as per Jensen installation procedures.
3. Structural modification to the Jensen line of products is not permitted without prior written approval from Jensen Engineering Department.
4. Do not scale the drawings. Verify all dimensions including rough openings, if any discrepancies are found, notify the Jensen Engineer immediately.
5. The Jensen Engineer will interpret the intent of the drawings in case of possible conflict or discrepancy.
6. Permissible Variations:  
 Dimensional Tolerances — The length, width, height, or dia. measurements of the structure when measured on the inside surfaces shall not deviate from design dimensions by more than the following:  
 Dimensions:                      Tolerance:  
 0 to 5 Feet                      1/4"  
 5 to 10 Feet                      3/8"  
 10 to 20 Feet as agreed upon between the supplier and purchaser.  
 Squariness Tolerance:  
 The inside of the precast concrete component shall be square as determined by diagonal measurements. The difference between such measurements shall not exceed the following:  
 Measured Length: Allowable Difference  
 0 to 10 Feet                      1/2"  
 10 to 20 Feet                      3/4"  
 20 Feet and over as agreed upon between the supplier and purchaser.
- 7.

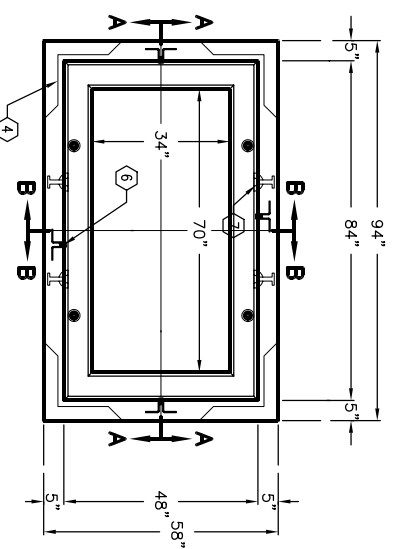


MINIMUM EXCAVATION SIZE:  
 5'-6" x 8'-6" x DEPTH REQ'D.

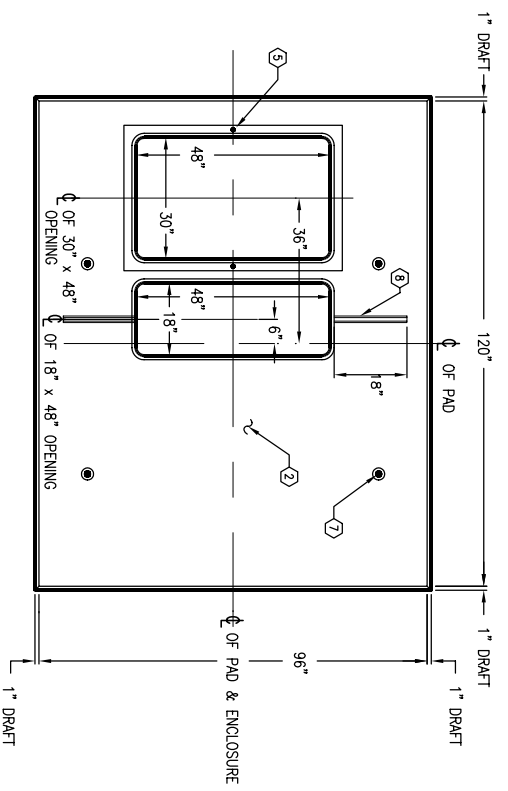


K810-SB42-16

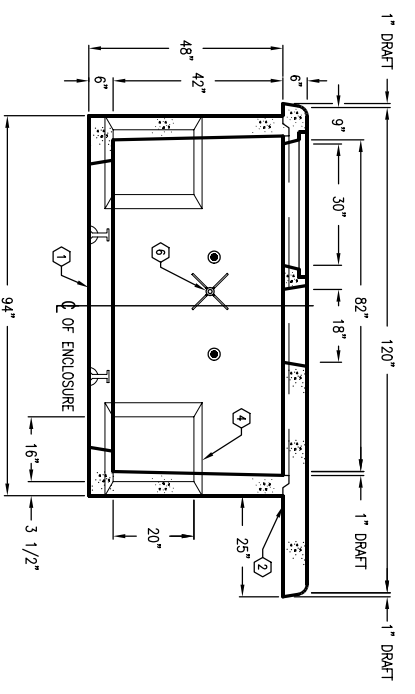
AUTOCAD REL. 14 PER CITY OF ANAHEIM SPEC. CU 1600-20 03-01-02



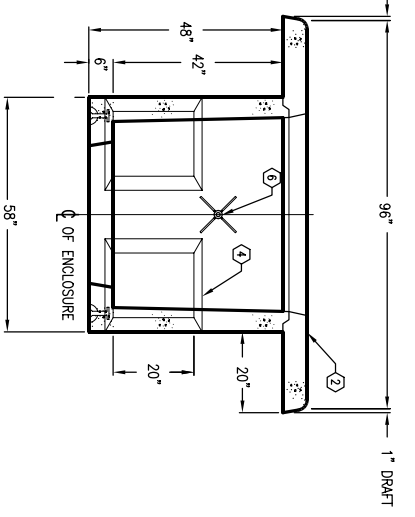
PLAN VIEW W/O TRANSFORMER PAD



PLAN VIEW OF TRANSFORMER PAD



SECTION A-A



SECTION B-B



K810-SB42-16

#	DATE	DESCRIPTION	BY

PER CITY OF ANAHEIM SPEC. CU 1600-20 03-01-02