

7'-0" x 9'-6" ANAHEIM TRANSFORMER PAD W/ 5'-0" x 8'-6" ENCLOSURE x 70" DEEP

NOTES:

- CABLE BOX DESIGNED IN ACCORDANCE WITH AASHTO H-20-44 TRAFFIC BRIDGE LOADING USING 5,500 PSI [37.92 MPa] COMPRESSIVE STRENGTH CONCRETE AND 60,000 PSI [413.2 MPa] YIELD STRENGTH ASTM A-706 STEEL REINFORCEMENT PER CALC. #31617
- CABLE BOX TO BE PLACED ON A MIN. 6" BASE OF CRUSHER RUN FOR EASE OF INSTALLATION & EVEN LOAD DISTRIBUTION.

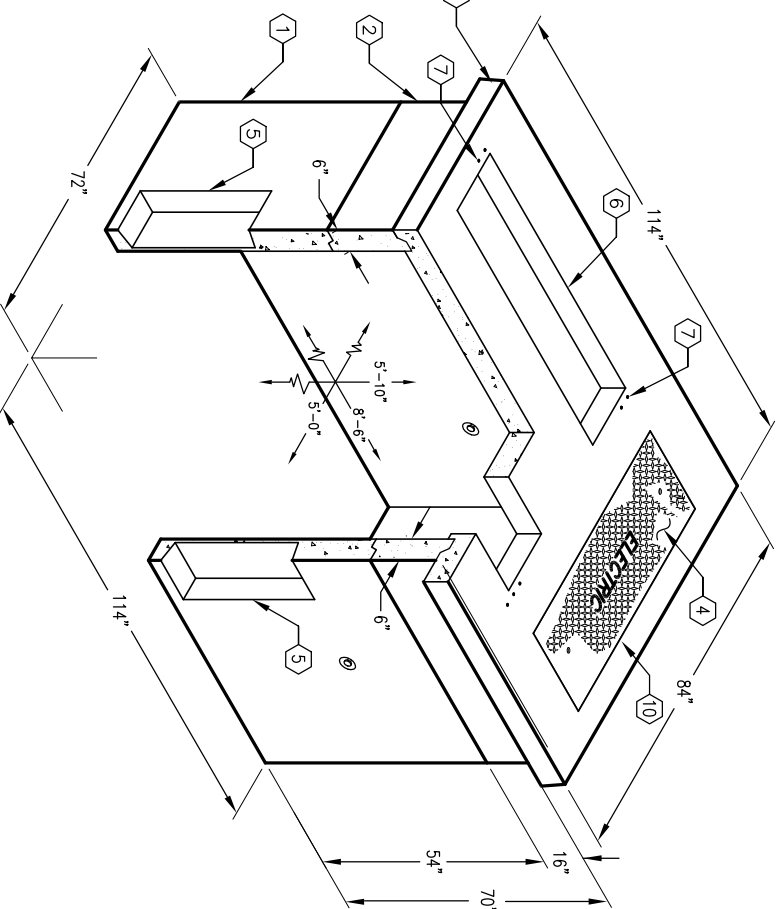
ORDERING INFORMATION:

K586-SB70-16 FOR ASSEMBLY AS SHOWN.
PER CITY OF ANAHEIM SPEC CU 1600-1C.
TOTAL WEIGHT OF ASSEMBLY IS 15,679 Lbs.

1. PB586-L54-16, 54" LOWER SECTION. WT. 9,047 Lbs.
2. PB586-R16-16, 16" EXTENSION SECTION. WT. 2,964 Lbs.
3. PD84114-16-16, 6" TOP PAD W/22" X 57" CAST-IN RECESS 2"x3/8" FOR 18" X 53" CLEAR OPENING. WT. 3,536 Lbs.
4. 22" x 57" GALVANIZED ACCESS PLATE COVER (SC586-GV16) WITH LIFTING HOLES AND BEAD WELD "ELECTRIC."
5. w/(2)1/2"x1 1/4" HEX SLTD S.S. BOLTS WT. 132 Lbs. (586-1399) 20" x 30" KNOCKOUT x 4 1/2" DEEP. DRAFT 1" ALL AROUND. LOCATE AS FOLLOWS: LOWER SECTION, (4) SHELL MTD.
6. 16" x 66" BLOCKOUT. LOCATE AS FOLLOWS: TOP PAD, (2) REQ'D.
7. 1/2" THREADED INSERT (P-35-T). LOCATE AS FOLLOWS: TOP PAD, (10) SURFACE MTD.
8. 1" THREADED COIL INSERT. LOCATE AS FOLLOWS: LOWER SECTION, (4) CORE MTD.
10. 1/2" P-35-T INSERT W/CLEAN-OUT HOLE. LOCATE 20" c.c.

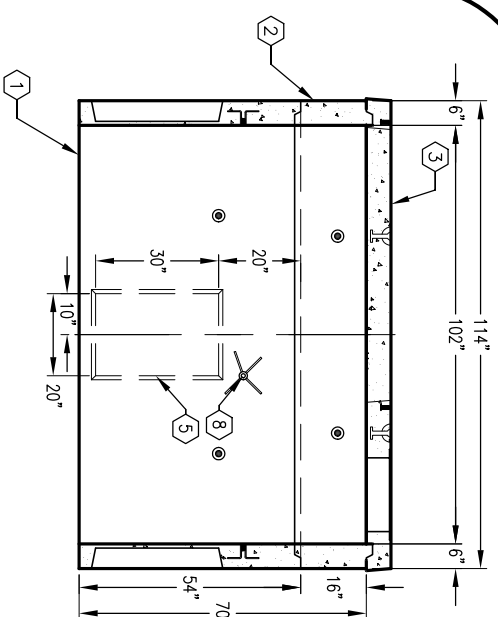
GENERAL NOTES:

1. Minimum soil bearing capacity is hereby assumed to be 2000 PSF unless otherwise documented by a geotechnical report that shall be provided to Jensen Precast by the end user. Jensen Precast shall not be held responsible for the soil bearing capacity.
2. Installation of Manholes, Vaults, Handholes, Meter Boxes etc. will be as per Jensen installation procedures.
3. Structural modification to the Jensen line of products is not permitted without prior written approval from Jensen Engineering Department.
4. Do not scale the drawings, verify all dimensions including rough openings, if any discrepancies are found, notify the Jensen Engineer immediately.
5. The Jensen Engineer will interpret the intent of the drawings in case of possible conflict or discrepancy.
6. Permissible Variations: Dimensional Tolerances – The length, width, height, or dia. measurements of the structure when measured on the inside surfaces shall not deviate form design dimensions by more than the following:
Tolerance:
0 to 5 Feet 1/4"
5 to 10 Feet 3/8"
10 to 20 Feet as agreed upon between the supplier and purchaser.
Squariness Tolerance:
The inside of the precast concrete component shall be square as determined by diagonal measurements. The difference between such measurements shall not exceed the following:
Measured Length: Allowable Difference
0 to 10 Feet 1/2"
10 to 20 Feet 3/4"
20 Feet and over as agreed upon between the supplier and purchaser.
- 7.

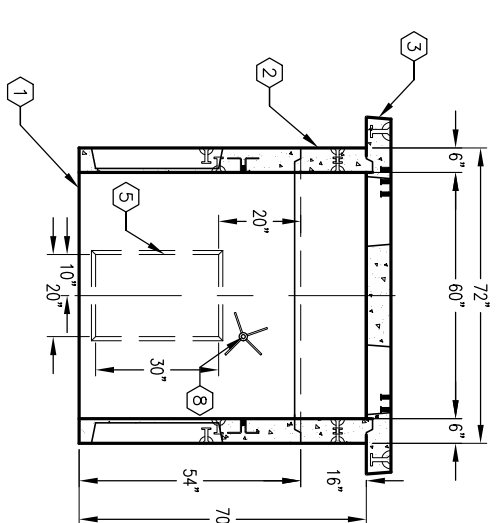


CABLE BOX

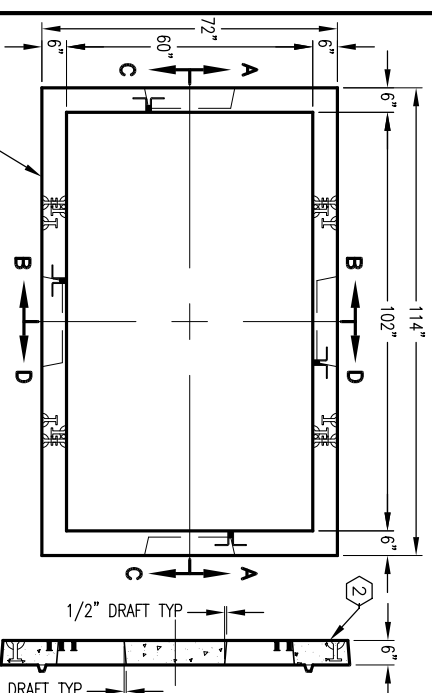
MINIMUM EXCAVATION SIZE:
6'-10" x 10'-4" x DEPTH REQ'D.



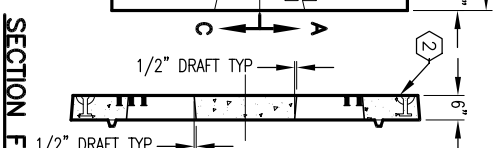
SECTION A-A



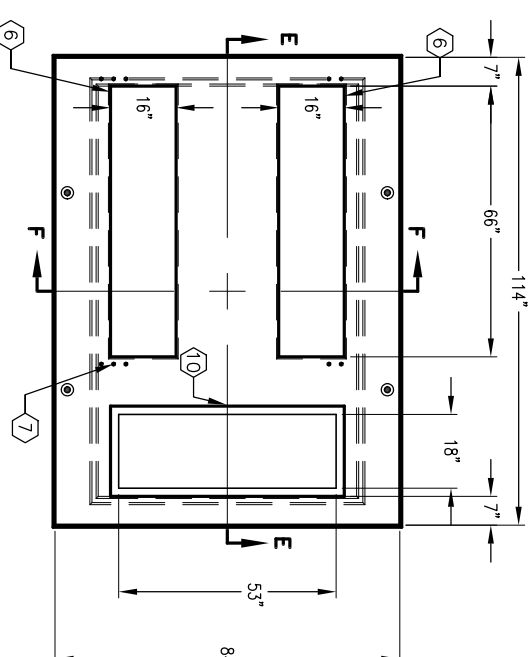
SECTION B-B



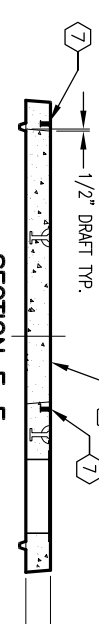
PLAN VIEW CABLE BOX
(PAD NOT SHOWN FOR CLARITY)



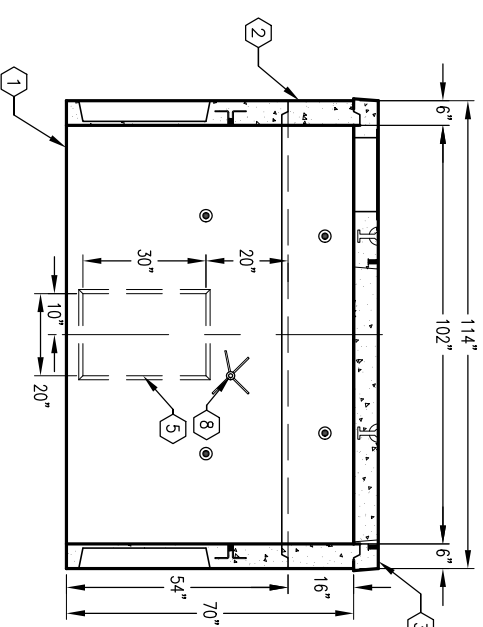
SECTION F-F



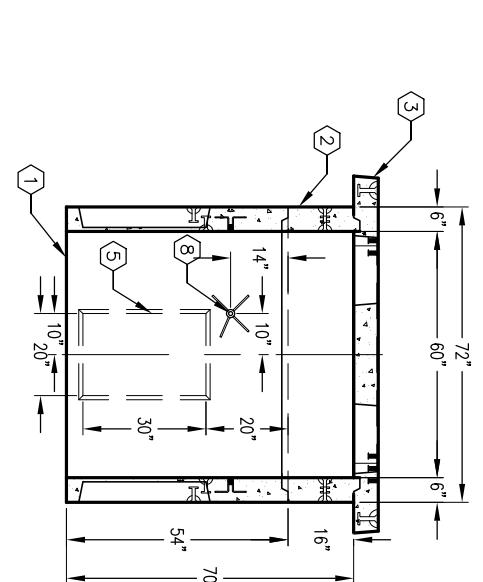
PLAN VIEW TOP PAD



SECTION E-E



SECTION C-C



SECTION D-D



AUTOCAD REL. 14

K586-SB70-16

CITY OF ANAHEIM SPEC. CU 1600-1C

03-01-02



#	DATE	DESCRIPTION	BY

K586-SB70-16

CITY OF ANAHEIM SPEC. CU 1600-1C

03-01-02