

5'-0" x 8'-6" ANAHEIM TRAFFIC SWITCH ENCLOSURE x 6'-6" DEEP

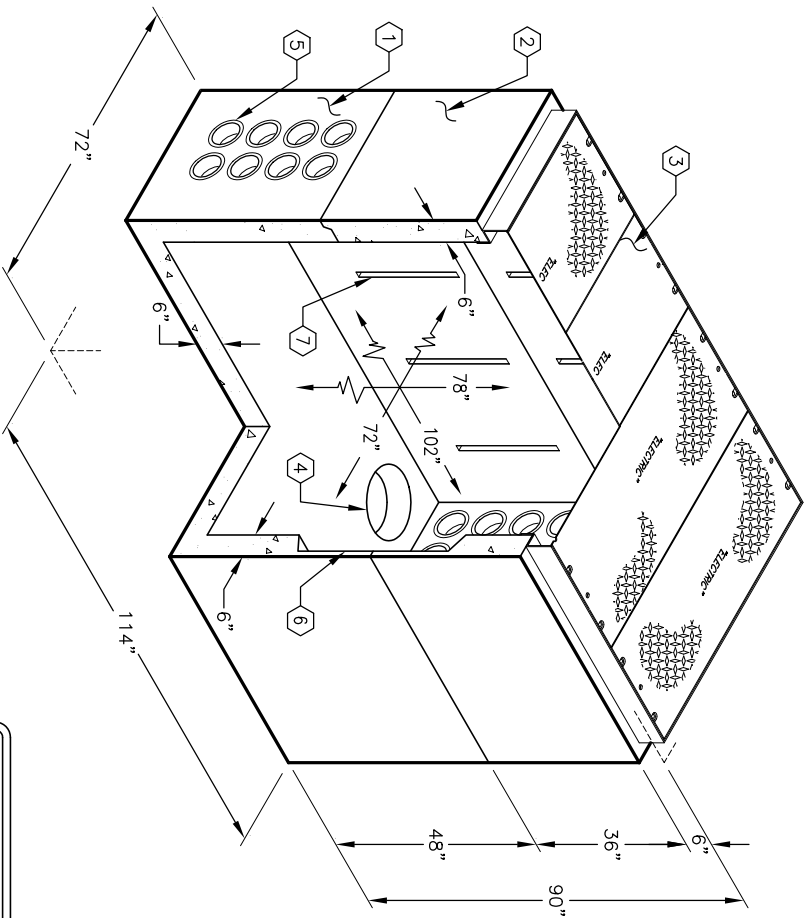
NOTES:

1. VAULT DESIGNED IN ACCORDANCE WITH AASHTO H-20-44 TRAFFIC BRIDGE LOADING USING 5,500 PSI [37.92MPa] COMPRESSIVE STRENGTH CONCRETE AND 60,000 PSI [413.2MPa] YIELD STRENGTH ASTM A-706 STEEL REINFORCEMENT PER CALCS. #31394.
2. COVER DESIGNED FOR TRAFFIC LOADING. PER CALCS. #30476.
3. VAULT TO BE PLACED ON A MIN. 6" BASE OF CRUSHER RUN FOR EASE OF INSTALLATION AND EVEN LOAD DISTRIBUTION.
4. ALL INTERIOR SURFACES SHALL BE PAINTED WITH TWO COATS OF FLAT LATEX WHITE PAINT (FRAZEE #410 OR EQUAL).
5. PB586-B42-16, 42" BOTTOM SECTION, WT. 11,888 Lbs.
6. PB586-T36-16, 3" TOP SECTION, WT. 6,525 Lbs.
7. CA586-TG-16, (4) PIECE TRAFFIC GALV. COVER & FRAME ASMB W/ADJUSTMENT BOLTS, (12) 1/2" S.S.P.H. BOLTS, MARKED "ELECTRIC", WT. 1,530 Lbs.
8. 13" x 14" DIA. SUMP x 5" DEEP W/GRADE & RECESS. BOTTOM SECTION (1) CORE MTD.
9. 6" DIA. TERMS. BOTTOM SECTION (32) SHELL MTD. 12" x 18" KNOCKOUT x 4 1/2" DEEP. BOTTOM SECTION (1) CORE MTD.; ROOF SECTION (1) CORE MTD. 1 5/8" x 1 5/8" GALV. CAST-IN UNISTRUT x 24" LONG. BOTTOM SECTION (10) CORE MTD.; ROOF SECTION (12) CORE MTD.
10. 1" DIA. COIL THRD. INSERT. BOTTOM SECTION (2) CORE MTD.
11. 5/8" GROUND ROD ATTACHED TO REBAR, 3" PROJECTION x 6" LONG, BOTTOM SECTION (2) CORE MTD.

THE FOLLOWING MATERIAL TO BE SHIPPED WITH EACH VAULT:
(0) 7/8" x 1 3/4" CONSEAL GASKET (45 FT. REQ'D.)

ORDERING INFORMATION:

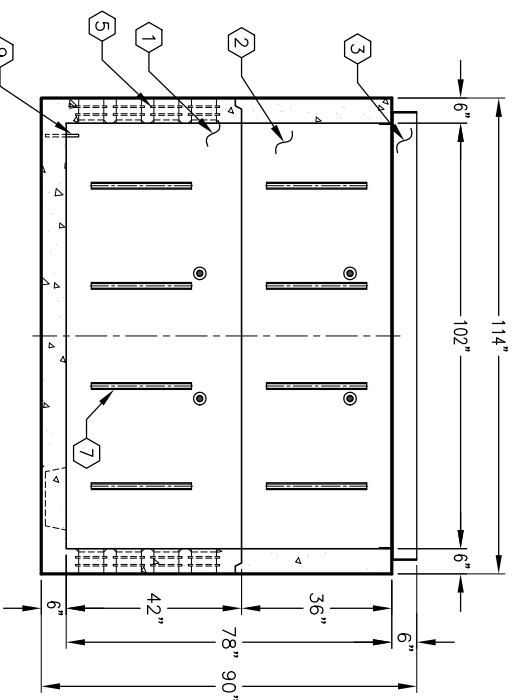
K586-SE78-16T FOR ASSEMBLY AS SHOWN.
APPROVED FOR ANAHEIM SPEC. CU 1600-3D.
TOTAL WEIGHT OF ASSEMBLY AS SHOWN. 20,835 Lbs.



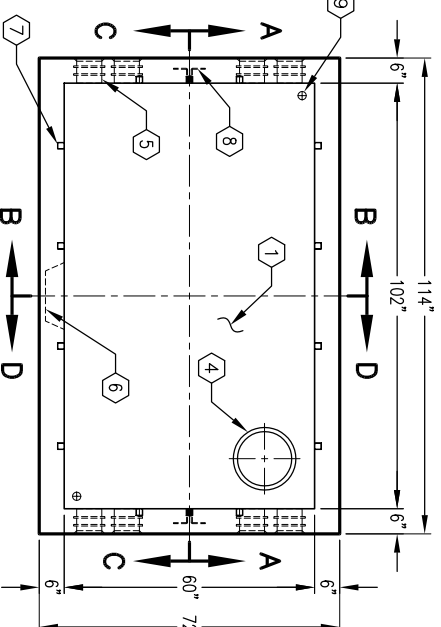
MINIMUM EXCAVATION SIZE:
7'-0" x 10'-6" x DEPTH REQ'D.



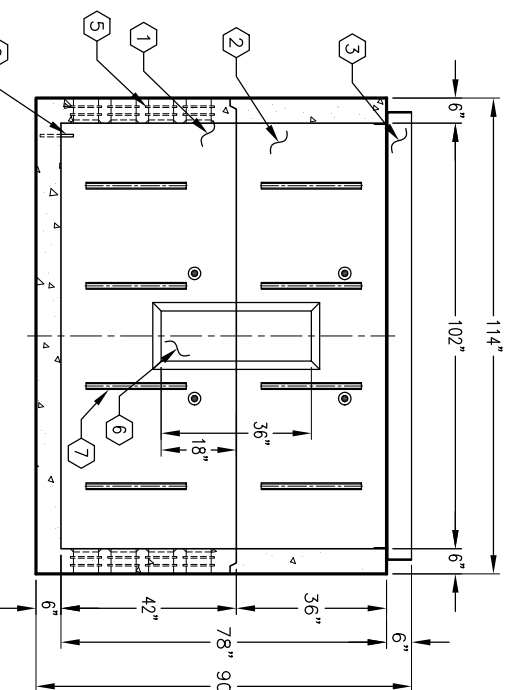
K586-SE78-16T



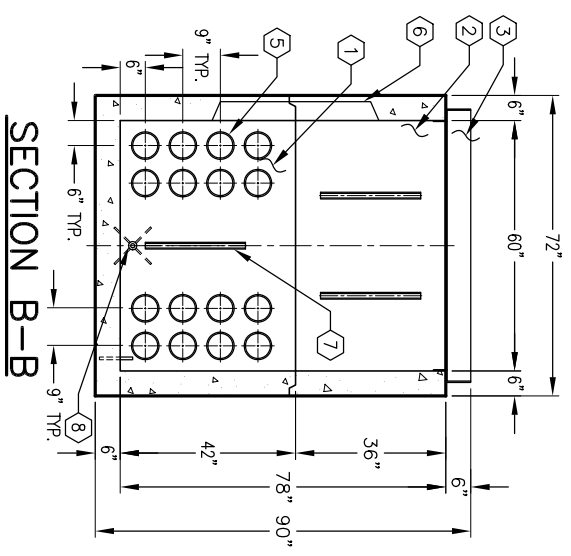
SECTION A-A



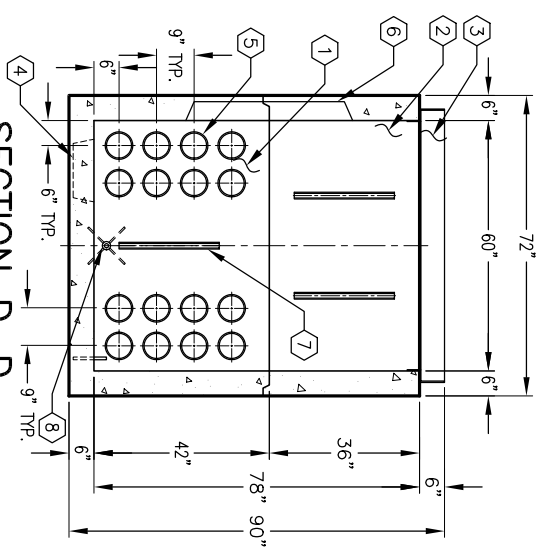
PLAN VIEW



SECTION C-C



SECTION B-B



SECTION D-D



K586-SE78-16T

#	DATE	DESCRIPTION	BY