

4'-0" x 7'-0" ANAHEIM PARKWAY SWITCH ENCLOSURE x 78" DEEP

NOTES:

- VAULT DESIGNED IN ACCORDANCE WITH AASHTO H-20-44 TRAFFIC BRIDGE LOADING USING 5,500 PSI [37.92 MPa] COMPRESSIVE STRENGTH CONCRETE AND 60,000 PSI [413.2 MPa] YIELD STRENGTH ASTM A-706 STEEL REINFORCEMENT PER CALCS. #30342.
- COVER DESIGN FOR 300 PSF PARKING LOADING PER CALCS. #31407.
- VAULT TO BE PLACED ON A MIN. 6" BASE OF CRUSHER RUN FOR EASE OF INSTALLATION AND EVEN LOAD DISTRIBUTION.
- ALL INTERIOR SURFACES SHALL BE PAINTED WITH TWO COATS OF FLAT LATEX WHITE PAINT (FRAZEE #410 OR EQUAL).

THE FOLLOWING MATERIAL TO BE SHIPPED WITH EACH VAULT:

- (o) 7/8" x 1 3/4" CONSEAL GASKET (45 FT. REQ'D.)

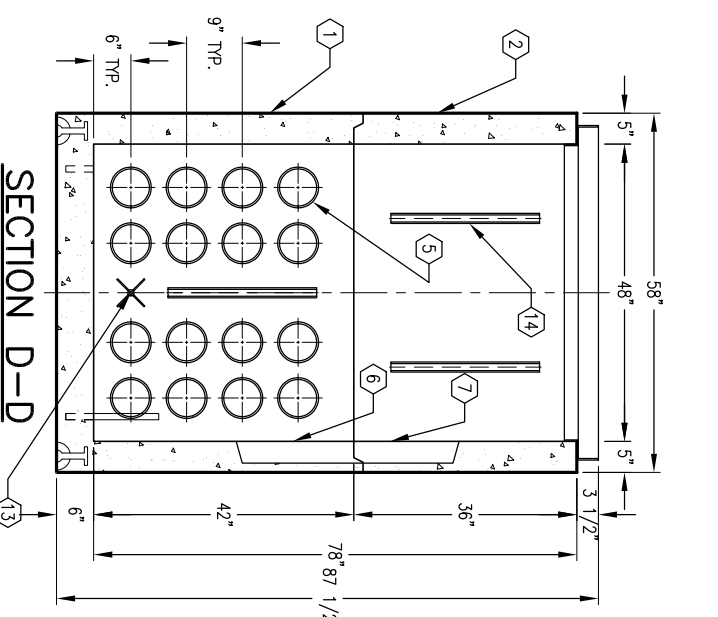
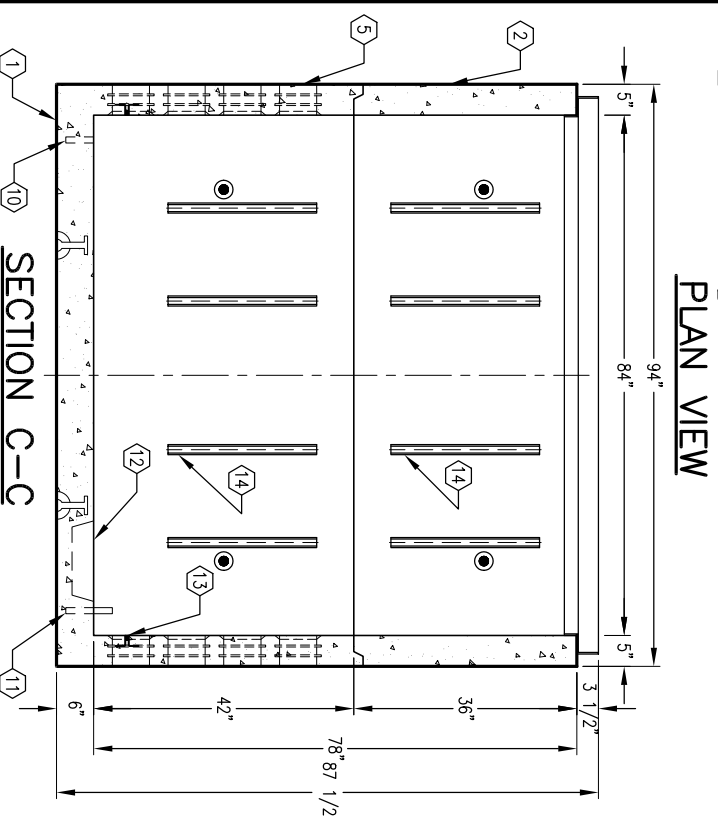
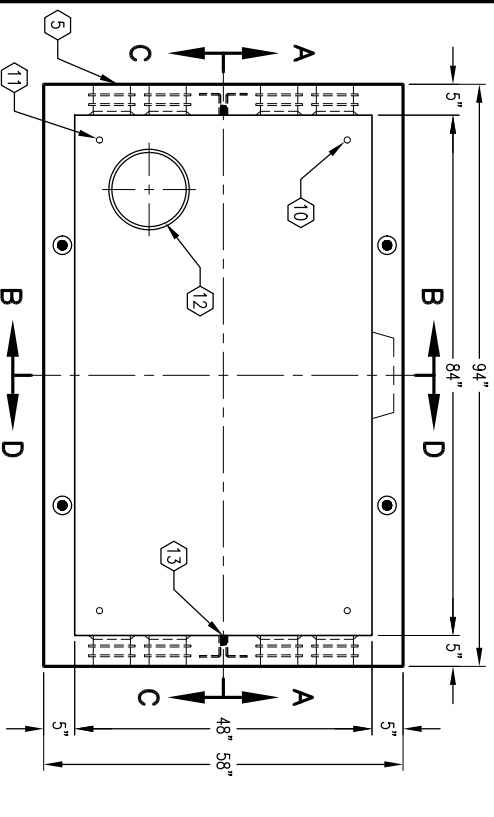
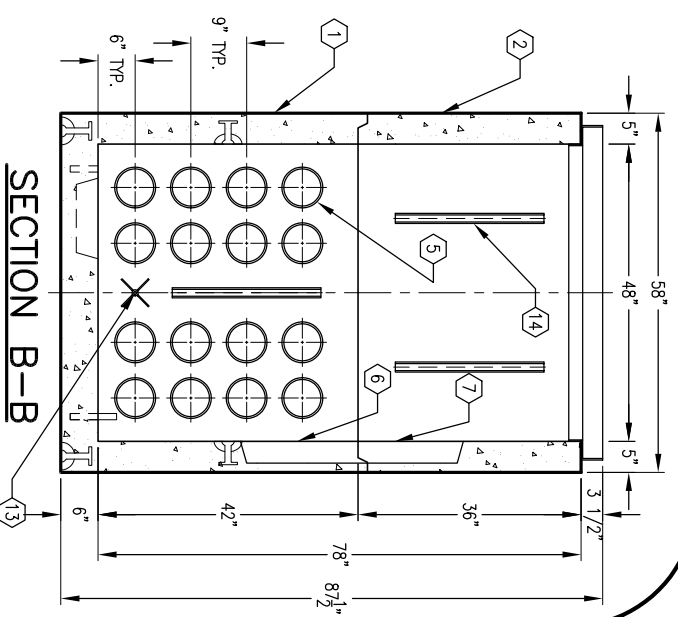
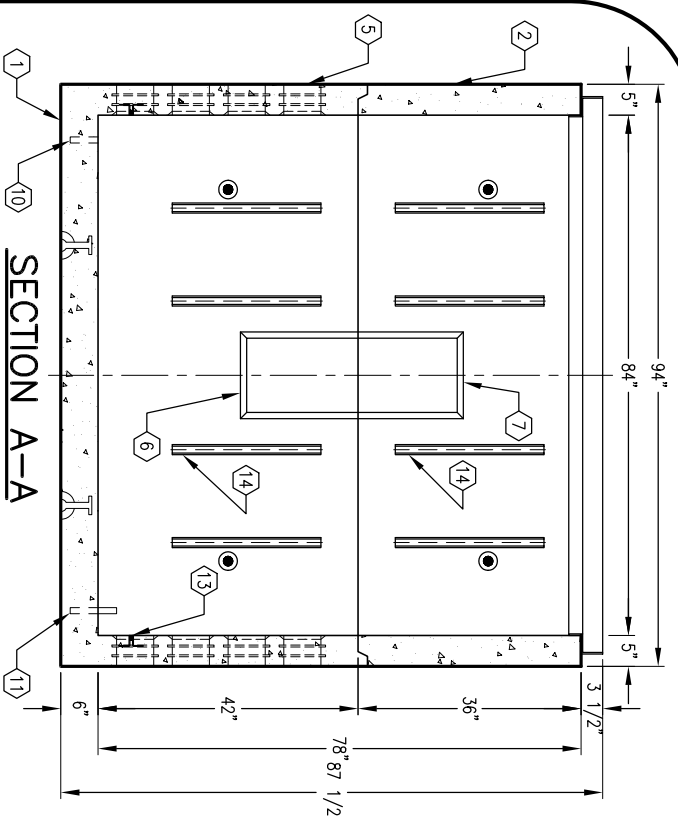
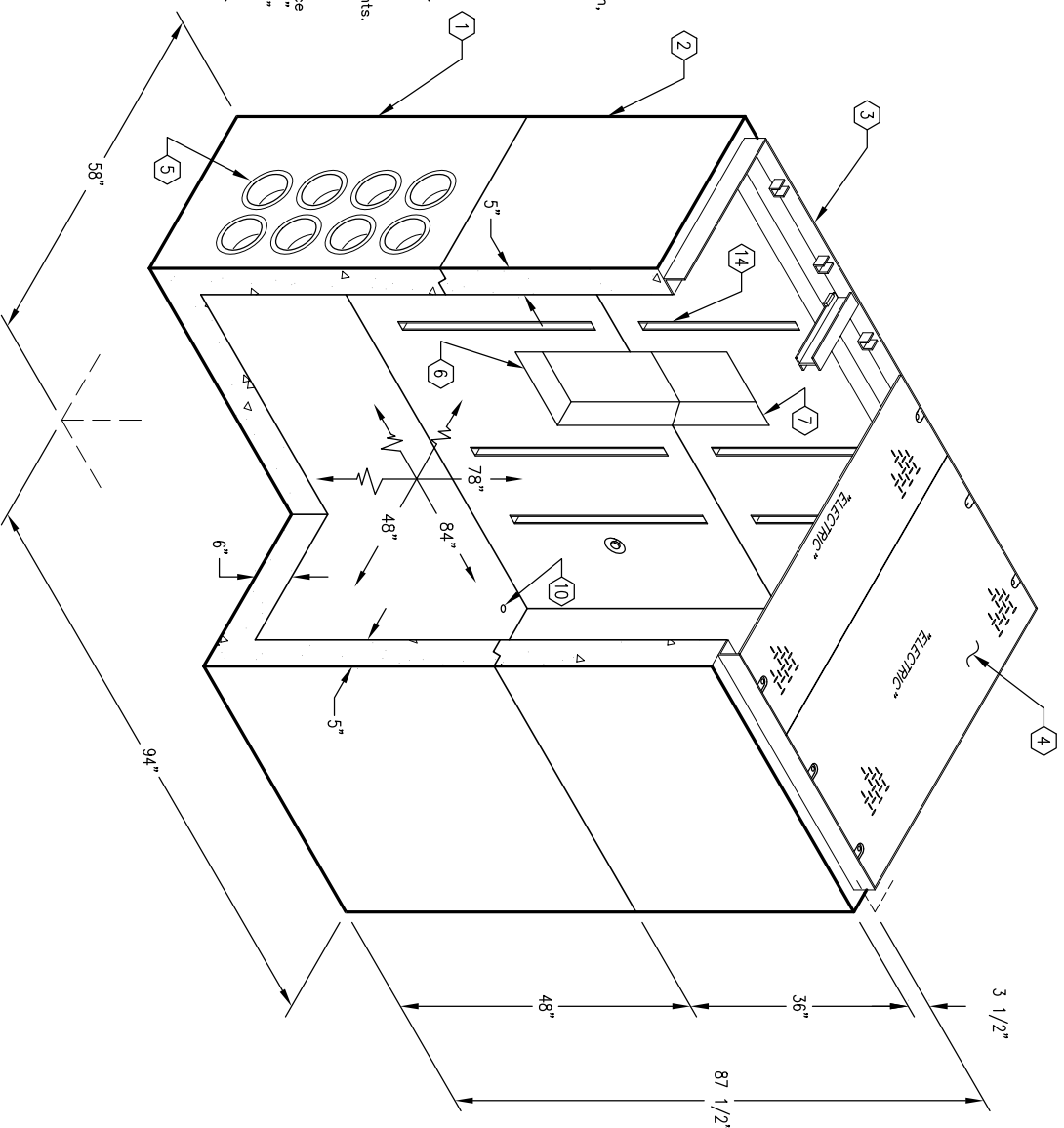
ORDERING INFORMATION:

K47-SF82-16 FOR ASSEMBLY AS SHOWN.
 APPROVED FOR ANAHEIM SPEC. CU 1600-3D.
 TOTAL ASSEMBLY WT. 13,254 Lbs.

GENERAL NOTES:

1. Minimum soil bearing capacity is hereby assumed to be 2000 PSF unless otherwise documented by a geotechnical report that shall be provided to Jensen Precast by the end user. Jensen Precast shall not be held responsible for the soil bearing capacity. Installation of Manholes, Vaults, Handholes, Meter Boxes etc. will be as per Jensen installation procedures.
2. Structural modification to the Jensen line of products is not permitted without prior written approval from Jensen Engineering Department. Do not scale the drawings, verify all dimensions including rough openings, if any discrepancies are found, notify the Jensen Engineer immediately.
3. The Jensen Engineer will interpret the intent of the drawings in case of possible conflict or discrepancy.
4. Permissible Variations: Dimensional Tolerances – The length, width, height, or dia. measurements of the structure when measured on the inside surfaces shall not deviate from design dimensions by more than the following:
 Tolerance:
 0 to 5 Feet 1/4"
 5 to 10 Feet 3/8"
 10 to 20 Feet 1/2"
 between the supplier and purchaser. Squariness Tolerance:
 The inside of the precast concrete component shall be square as determined by diagonal measurements. The difference between such measurements shall not exceed the following:
 Measured Length: Allowable Difference
 0 to 10 Feet 1/2"
 10 to 20 Feet 3/4"
 between the supplier and purchaser.

1. SE47-B42-16. BOTTOM SECTION WT. 8,017 Lbs.
2. SE47-T36-16. TOP SECTION WT. 4,438 Lbs.
3. F47-PB-PBD, 3 1/2" FRAME GALV. WT 177 Lbs.
4. GA47-PG-16, 3 PIECE PARKWAY COVER (SC47-PGV) W/(2) BEAMS (SCB47-1369P) (12) 1/2" x 1 1/2" S.S. HEX HEAD BOLT DOWNS, GALV. TAMPER PLATES BELOW LIFT HOLES, GALV. FINISHED, MARKED "ELECTRIC", WT. 622 Lbs.
5. 6" DIA. TERM (55-50-611). BOTTOM SECTION (32) CORE MTD. 18" x 12" x 3 1/2" DEEP K.O. DRAFT AS FOLLOWS: T=0", S1=1", S2=1", B=1". BOTTOM SECT. (1) CORE MTD. 18" x 12" x 3 1/2" DEEP K.O. DRAFT AS FOLLOWS: T=1", S1=1", S2=1", B=0". TOP SECTION (1) CORE MTD. 1" DIA. BLIND GROUND ROD HOLE. BOTTOM SECT. (2) REQ'D. CORE MTD.
6. 5/8" COPPER CLAD STEEL GROUND ROD ATTACHED TO REBAR x 6" LONG. 3" PROJECTION BOTTOM SECT. (2) REQ'D. CORE MTD. 13" x 14" DIA. SUMP x 4 1/2" DEEP (5000-393). W/GRATED COVER PLATE
7. X 1" COIL THRD. INSERTS BOTTOM SECTION (2) CORE MTD.
8. 1 5/8" x 1 5/8" GALV. UNISTRUT x 24". BOTTOM SECTION (10) CORE MTD.; TOP SECTION (12) CORE MTD.



AUTOCAD REL. 14

K47-SF82-16

PER ANAHEIM SPEC. CU 1600-3D PKW 03-01-02



K47-SF82-16

PER ANAHEIM SPEC. CU 1600-3D 03-01-02

#	DATE	DESCRIPTION	BY