

4'-0" x 4'-0" ANAHEIM 3-WAY INTERCEPT PULL BOX x 48" DEEP

- NOTES:
- VAULT DESIGNED IN ACCORDANCE WITH AASHTO H-20-44 TRAFFIC BRIDGE LOADING USING 5,500 PSI [37.92 MPa] COMPRESSIVE STRENGTH CONCRETE AND 60,000 PSI [413.2 MPa] YIELD STRENGTH ASTM A-706 STEEL REINFORCEMENT PER CALCS. #30649
 - COVER DESIGNED FOR PARKWAY LOADING 300 P.S.F. OR TRAFFIC LOADING H-20.
 - VAULT TO BE PLACED ON A MIN. 6" BASE OF CRUSHER RUN FOR EASE OF INSTALLATION AND EVEN LOAD DISTRIBUTION.

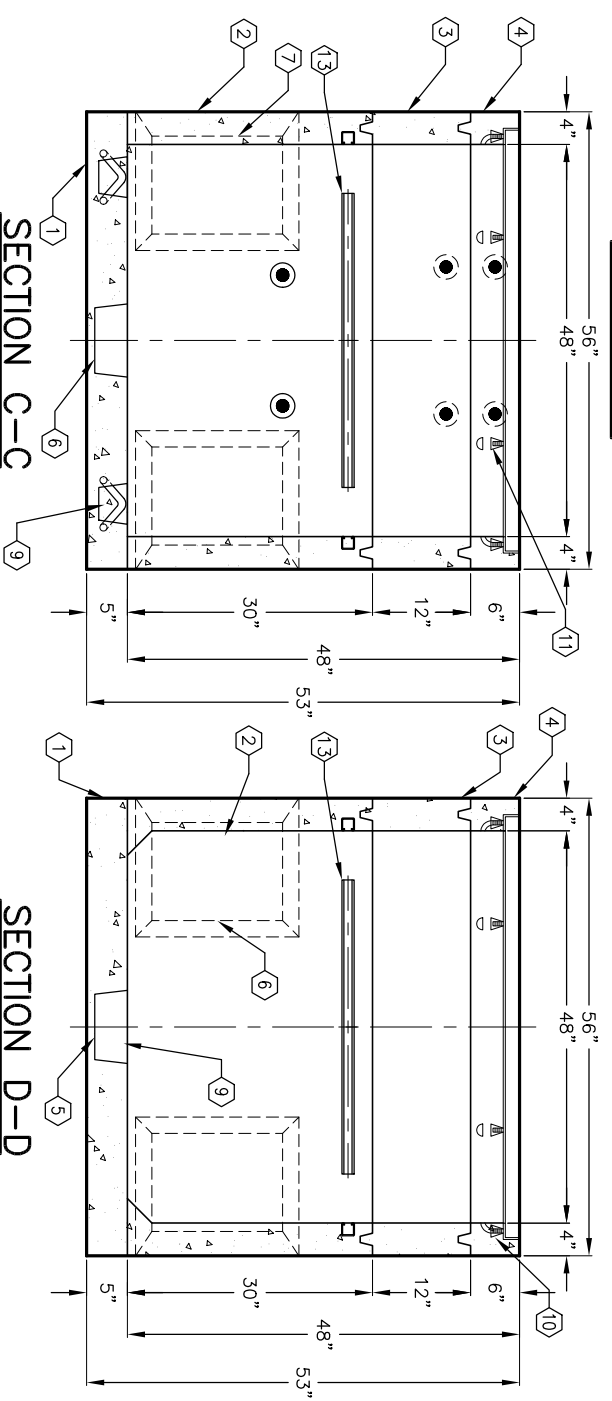
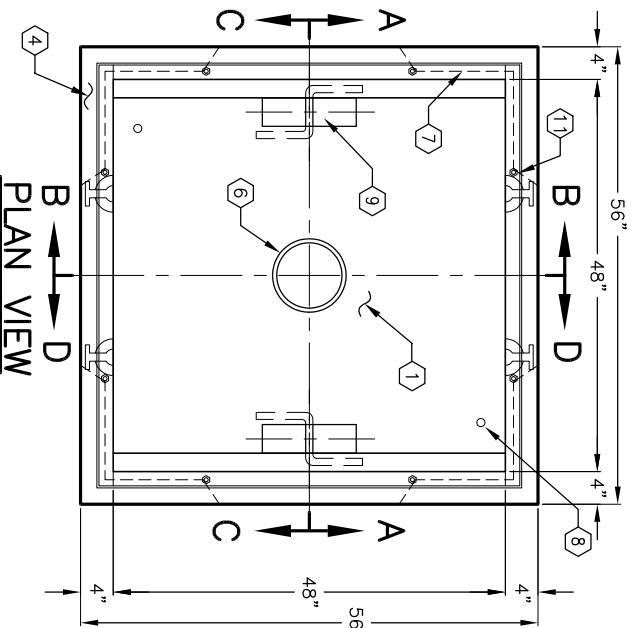
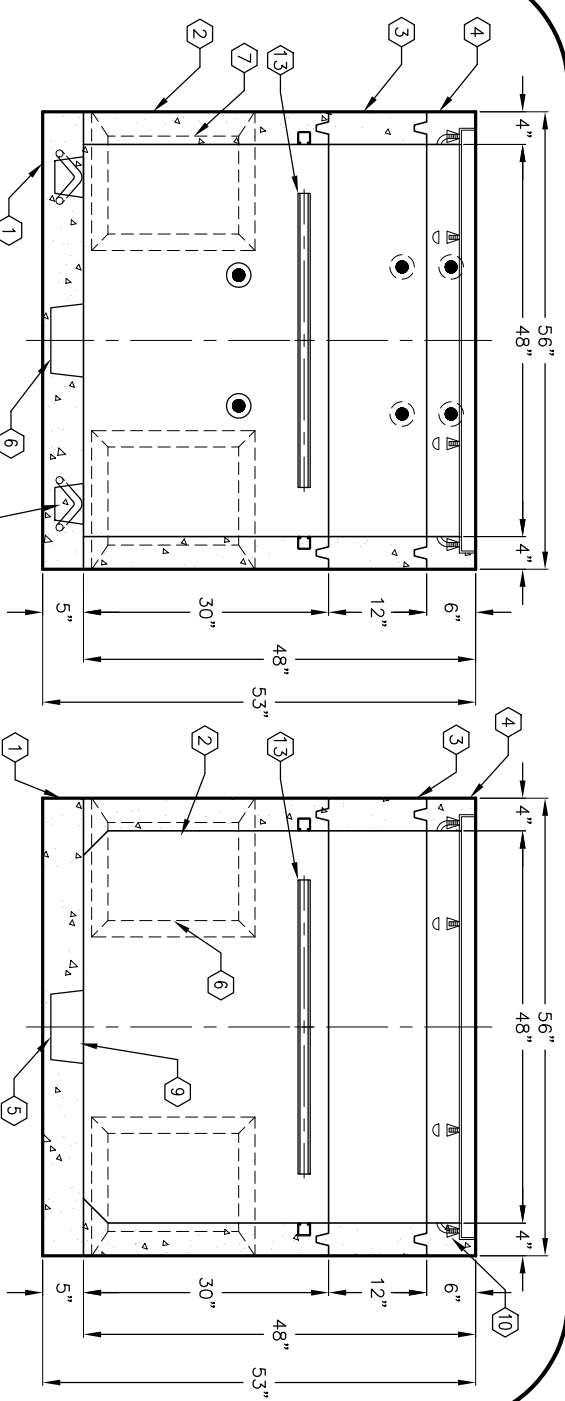
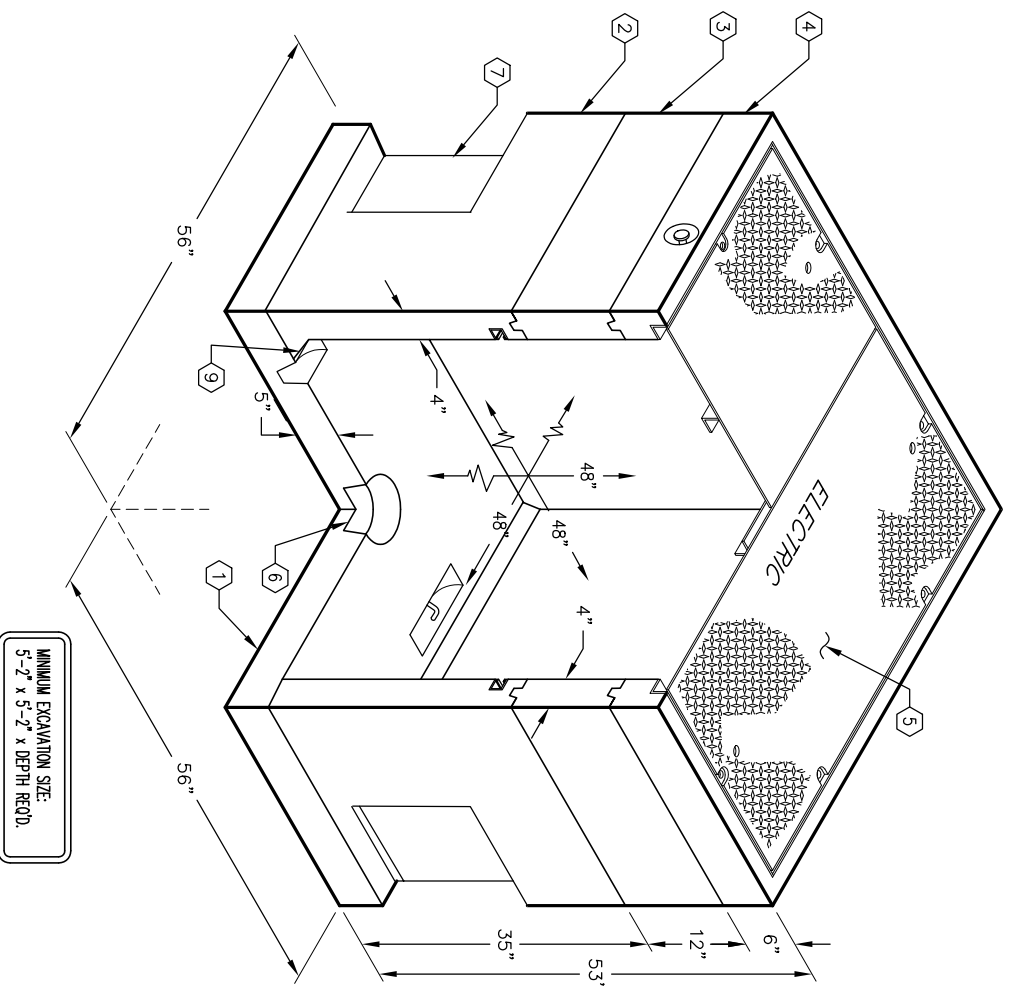
ORDERING INFORMATION:

PER CITY OF ANAHEIM SPEC. CU 1600-14A,
TOTAL WEIGHT OF ASSEMBLY SHOWN IS 5,141 Lbs.

- PB44-B-5, 5" BOTTOM SLAB. WT. 1,561 Lbs.
- PB44F-130-16, 30" LOWER SECTION. WT. 2,167 Lbs.
- PB44-R12, 12" EXTENSION SECTION. WT. 867 Lbs.
- PB44-T6F, 6" TOP SECTION. W/ (F44-PB-ANG) CAST-IN GALV. ANGLE FRAME. WT. 433 Lbs.
- SC44-PGVE, ONE PIECE PARKWAY COVER GALV., MARKED "ELECTRIC".
- SC44-TGVE, ONE PIECE TRAFFIC COVER GALV., MARKED "ELECTRIC".
- 8" x 9" DIA. SUMP x 4" DEEP. LOCATE AS FOLLOWS:
BOTTOM SECTION (1) CORE MTD.
12" x 12" x 16" K.O. x 3 1/2" DEEP. DRAFT AS FOLLOWS:
F-S1=S2=2", B=0". LOCATE AS FOLLOWS: BOTTOM SECTION (4) SHELL MTD.
- 1" DIA. GROUND ROD HOLE. LOCATE AS FOLLOWS: (2) CORE MTD.
7/8" GALV. RECESSED PULL IRON. LOCATE AS FOLLOWS:
BOTTOM SECTION (2) CORE MTD.
- 1/2" P-35-T OB INSERT W/CLEAN OUT HOLE. LOCATE AS FOLLOWS:
TOP SECTION (8) FRAME MTD.
- 1 5/8" x 1 5/8" x 36" LONG GALV. UNISTRUT CAST-IN (55-21-036) 4 PLACES - CORE MTD.

PARKWAY ASSEMBLY WITH STEEL B/D COVER K44-F148-16P. LIGHT TRAFFIC ASSEMBLY WITH STEEL B/D COVER K44-F148-16L.

- GENERAL NOTES:
- Minimum soil bearing capacity is hereby assumed to be 2000 PSF unless otherwise documented by a geotechnical report that shall be provided to Jensen Precast by the end user. Jensen Precast shall not be held responsible for the soil bearing capacity.
 - Installation of Manholes, Vaults, Handholes, Meter Boxes etc. will be as per Jensen installation procedures.
 - Structural modification to the Jensen line of products is not permitted without prior written approval from Jensen Engineering Department. Do not scale the drawings, verify all dimensions including rough openings, if any discrepancies are found, notify the Jensen Engineer immediately.
 - The Jensen Engineer will interpret the intent of the drawings in case of possible conflict or discrepancy.
 - Permissible Variations:
Dimensional Tolerances - The length, width, height, or dia. measurements of the structure when measured on the inside surfaces shall not deviate from design dimensions by more than the following:
Dimensions: Tolerance:
0 to 5 Feet 1/4"
5 to 10 Feet 3/8"
10 to 20 Feet as agreed upon between the supplier and purchaser.
Squareness Tolerance:
The inside of the precast concrete component shall be square as determined by diagonal measurements. The difference between such measurements shall not exceed the following:
Measured Length: Allowable Difference
0 to 10 Feet 1/2"
10 to 20 Feet 3/4"
20 Feet and over as agreed upon between the supplier and purchaser.



#	DATE	DESCRIPTION	BY