

2'-0" x 3'-0" ANAHEIM DUCTED PULL BOX x 3'-0" DEEP

NOTES:

- CONCRETE DESIGNED FOR H-20-44 TRAFFIC BRIDGE LOADING USING 5,500 PSI [37.92MPa] COMPRESSIVE STRENGTH CONCRETE AND 60,000 PSI [413.2MPa] YIELD STRENGTH ASTM A-706 REINFORCING STEEL PER CALCS. #31633.
- COVER DESIGNED FOR PARKWAY LOADING 300 P.S.F. OR TRAFFIC LOADING H-20.
- INTERCEPT BOX TO BE PLACED ON A 6" BASE OF CRUSHER RUN FOR EVEN LOAD DISTRIBUTION AND EASE OF INSTALLATION.

1. PB2436-B-05, 3" BASE SECTION, WT. 953 Lbs.
2. PB2436D-127-05, 27" INTERMEDIATE SECTION, WT. 951 Lbs.
3. PB2436-TGF, 6" TOP SECTION, (07-665-1), W/F2436-PB-ANG GALV. ANGLE FRAME CAST IN. WT. 182 Lbs.
- 4A. SC3048-PQVE, ONE, PIECE PARKWAY COVER GALV., MARKED "ELECTRIC".
- 4B. SC3048-TQVE, ONE, PIECE TRAFFIC COVER GALV., MARKED "ELECTRIC".
5. 6" x 6 1/2" DIA. SUMP x 1" DEEP.
6. 1" x 11" DUCTED K.O. x 12" DEEP. DRAFT: T=6", S1=5", S2=5", B=0". INT. SECT. (2) CORE MTD. 8" x 16" K.O. x 3" DEEP. DRAFT: T=2", S1=2", S2=2", B=0". INT. SECT. (4) CORE MTD.
7. 7/8" DIA. x 9" GALVANIZED PULL IRON. BOTTOM SECTION (2) CORE MTD.
10. © 1/2" P-36-T INSERT. TOP SECTION (2) SHELL MTD.
11. + 1/2" PLASTIC INSERT. INT. SECT. (4) CORE MTD.
12. ○ 1/2" P-35-T O.B. INSERT W/CLEAN-OUT HOLE. TOP SECTION (4) FRAME MTD.

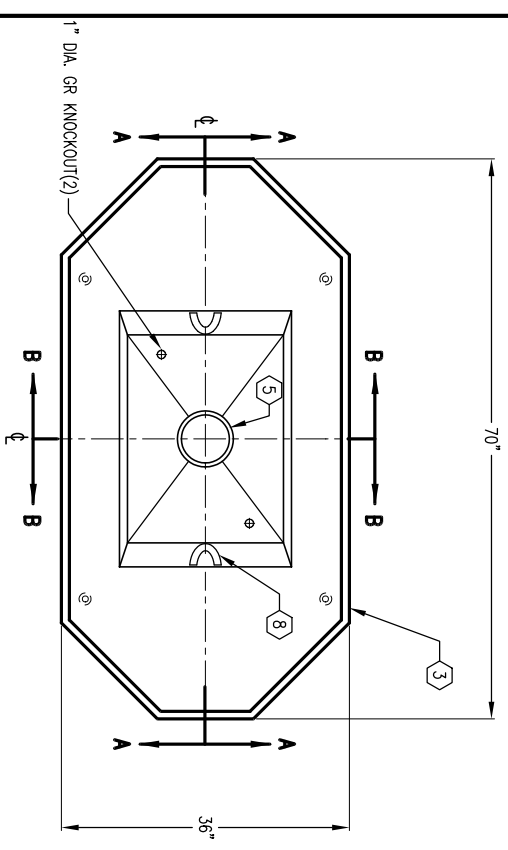
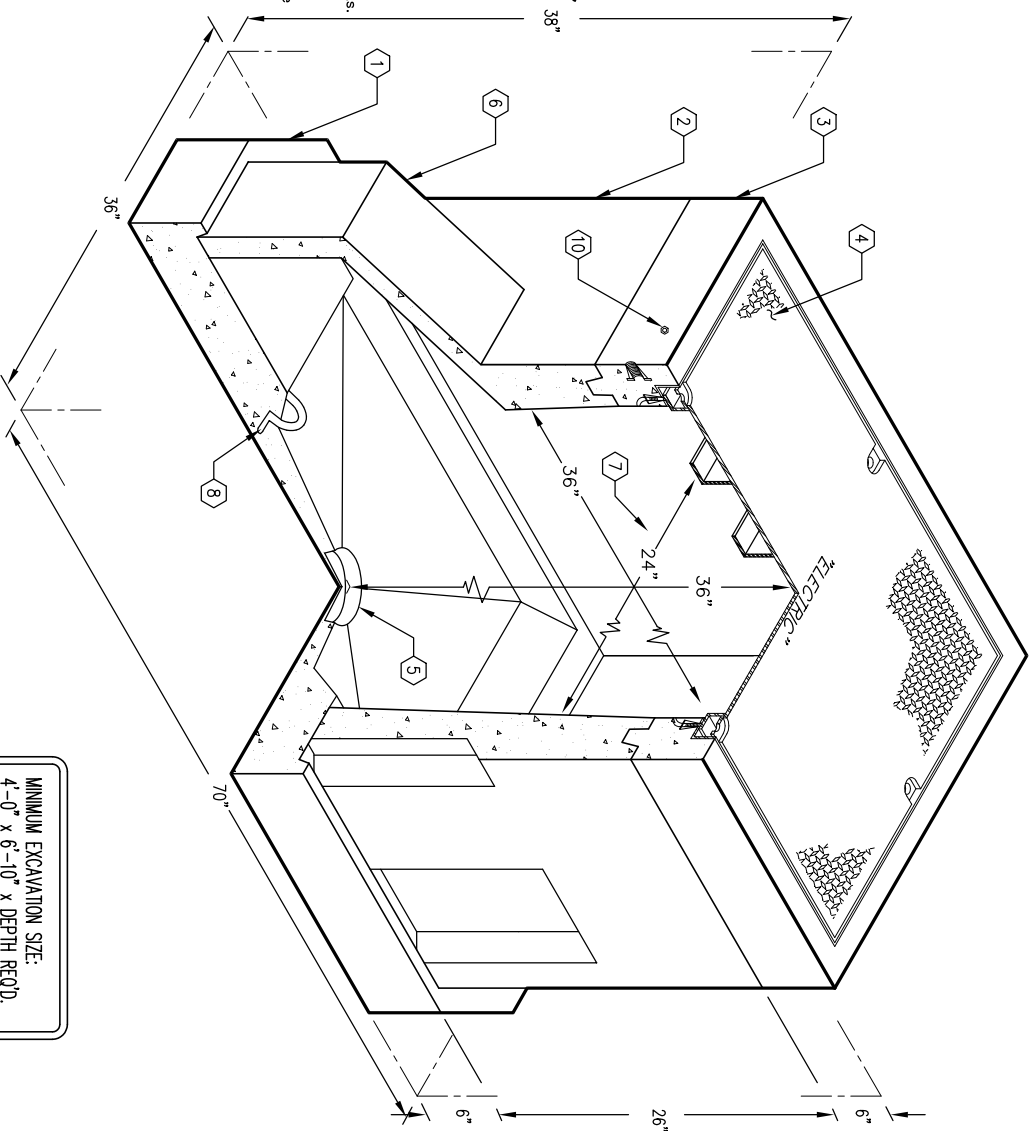
ORDERING INFORMATION:

PER CITY OF ANAHEIM SPECS. CU1600-3A.
TOTAL ASSEMBLY WT. 2,220 Lbs.

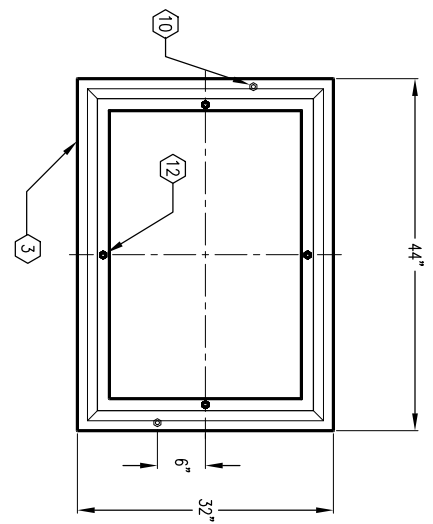
PARKWAY ASSEMBLY WITH STEEL B/D COVER K2436-DI36-16P.
LIGHT TRAFFIC ASSEMBLY WITH STEEL B/D COVER K2436-DI36-16T.

GENERAL NOTES:

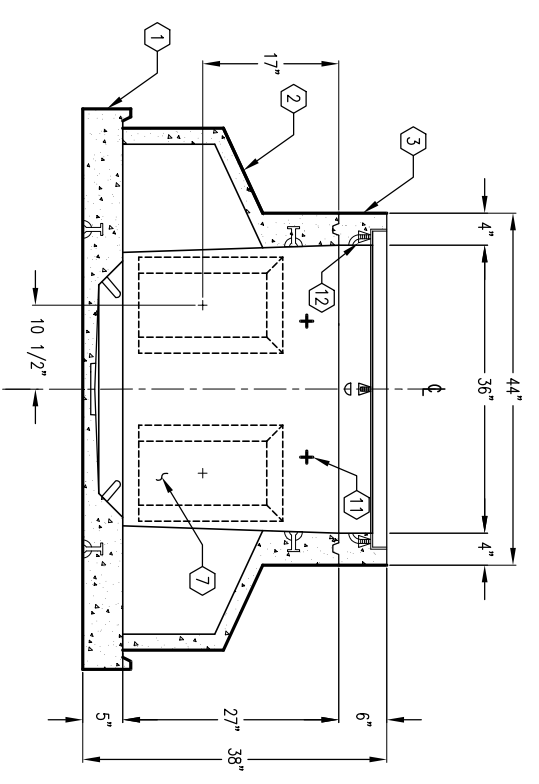
1. Minimum soil bearing capacity is 2,000 PSF unless otherwise documented by a geotechnical report that shall be provided to Jensen Precast by the end user. Jensen Precast shall not be held responsible for the soil bearing capacity.
2. Installation of Manholes, Vaults, Handholes, Meter Boxes etc. will be as per Jensen installation procedures.
3. Structural modification to the Jensen line of products is not permitted without prior written approval from Jensen Engineering Department. Do not scale the drawings, verify all dimensions including rough openings, if any discrepancies are found, notify the Jensen Engineer immediately.
5. The Jensen Engineer will interpret the drawings in the event of possible conflict or discrepancy.
6. Permissible Variations: Dimensional Tolerances - The length, width, height, or dia. measurements of the structure when measured on the inside surfaces shall not deviate from design dimensions by more than the following: Tolerances: 0 to 5 Feet 1/4" 5 to 10 Feet 3/8" 10 to 20 Feet as agreed upon between the supplier and purchaser. Squariness Tolerance: The inside of the precast concrete component shall be square as determined by diagonal measurements. The difference between such measurements shall not exceed the following: Measured Length: Allowable Difference 0 to 10 Feet 1/2" 10 to 20 Feet 3/4" 20 Feet and over as agreed upon between the supplier and purchaser.



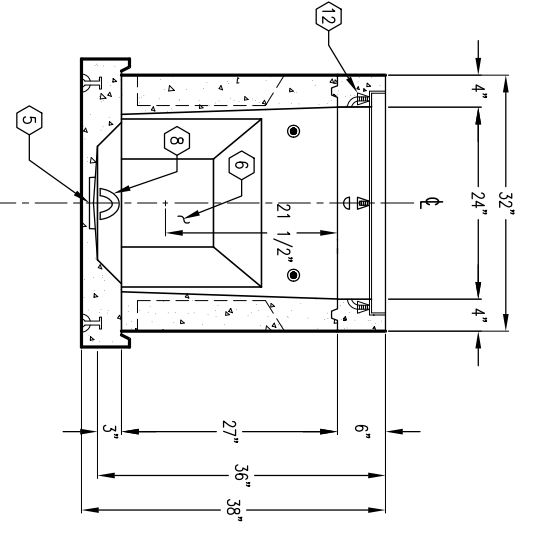
PLAN VIEW BOTTOM SECTION



PLAN VIEW TOP SECTION



SECTION A-A



SECTION B-B

MINIMUM EXCAVATION SIZE:
4'-0" x 6'-10" x DEPTH REQ'D.



AUTOCAD REL. 14

K2436-DI36-16

PER CITY OF ANAHEIM SPEC. CU 1600-3A

03-01-02



#	DATE	DESCRIPTION	BY

K2436-DI36-16

PER CITY OF ANAHEIM SPEC. CU 1600-3A

03-01-02