

## 2'-6" x 4'-0" ANAHEIM DUCTED PULL BOX x 3'-6" DEEP

### NOTES:

- Xref **HWOOD** BOX DESIGNED IN ACCORDANCE WITH AASHTO H-20-44 TRAFFIC BRIDGE LOADING USING 5,500 P.S.I. [37.92MPa] COMPRESSIVE STRENGTH CONCRETE AND 60,000 P.S.I. [413.2MPa] YIELD STRENGTH ASTM A-706 STEEL REINFORCING PER CALCS. #31639.
- Xref **HWOOD** BOX TO BE PLACED ON A MIN 6" BASE OF CRUSHER RUN FOR EASE OF INSTALLATION AND EVEN LOAD DISTRIBUTION.
- Xref **HWOOD**ER DESIGNED FOR PARKWAY LOADING 300 P.S.F. OR TRAFFIC LOADING H-20.

### ORDERING INFORMATION:

PER CITY OF ANAHEIM SPECS. CU1600-3A.  
TOTAL WEIGHT OF ASSEMBLY IS 3,419 Lbs.

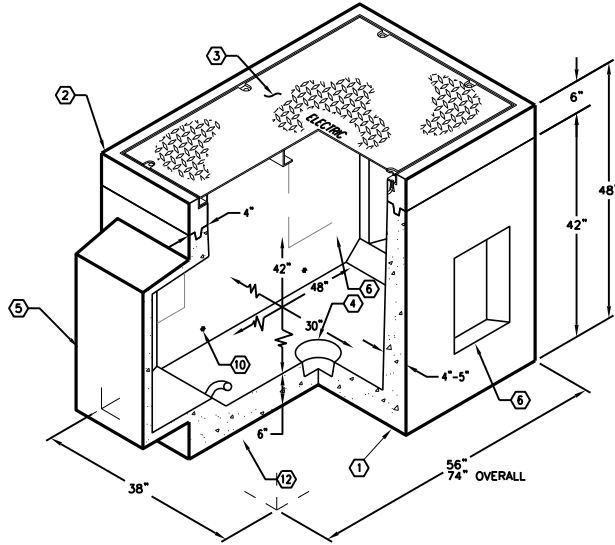
- PB3048D-B36-05, 36" BOTTOM SECTION. WT. 2,936 Lbs.
- PB3048-T6F, 6" TOP SECTION. W/ F3048-PB-ANG GALV. CAST IN ANGLE FRAME. WT. 213 Lbs.
- SC3048-PGVE, ONE PIECE PARKWAY COVER GALV., MARKED "ELECTRIC".
- SC3048-TGVE, ONE PIECE TRAFFIC COVER GALV., MARKED "ELECTRIC".
- 6" x 7" DIA. SUMP x 4" DEEP. LOCATE AS FOLLOWS: BOTTOM SECTION (1) CORE MTD.
- 25" x 26" DUCTED K.O. x 12" DEEP. DRAFT AS FOLLOWS: T=1", S1=S2=1", B=0". LOCATE AS FOLLOWS: BOTTOM SECTION (2) CORE MTD.
- 8" x 16" K.O. x 3" DEEP. DRAFTS AS FOLLOWS: 1 1/2" TYP. ALL SIDES. LOCATE AS FOLLOWS: BOTTOM SECTION (4) SHELL MTD.
- 1" DIA. BLIND GROUND ROD HOLE. LOCATE AS FOLLOWS: BOTTOM SECTION (2) CORE MTD.
- 1/2" P-35-T INSERT. LOCATE AS FOLLOWS: TOP SECTION (2) SHELL MTD.
- 1/2" P-35-T O.B. INSERT W/CLEAN-OUT HOLE. LOCATE AS FOLLOWS: TOP SECTION (6) FRAME MTD.
- 7/8" DIA. x 9" GALV. VERTICAL PULL IRON, BOTTOM SECTION (2) CORE MTD.

### PARKWAY ASSEMBLY WITH STEEL B/D COVER **K3048-DP42-16P**

### LIGHT TRAFFIC ASSEMBLY WITH STEEL B/D COVER **K3048-DP42-16T**

### GENERAL NOTES:

- Minimum soil bearing capacity is hereby assumed to be 2000 PSF unless otherwise documented by a geotechnical report that shall be provided to Jensen Precast by the end user. Jensen Precast shall not be held responsible for the soil bearing capacity.
- Installation of Manholes, Vaults, Handholes, Meter Boxes etc. will be as per Jensen installation procedures.
- Structural modification to the Jensen line of products is not permitted without prior written approval from Jensen Engineering Department.
- Do not scale the drawings, verify all dimensions including rough openings, if any discrepancies are found, notify the Jensen Engineer immediately.
- The Jensen Engineer will interpret the intent of the drawings in case of possible conflict or discrepancy.
- Permissible Variations:  
Dimensional Tolerances - The length, width, height, or dia. measurements of the structure when measured on the inside surfaces shall not deviate from design dimensions by more than the following:  
Dimensions: Tolerance:  
0 to 5 Feet 1/4"  
5 to 10 Feet 3/8"  
10 to 20 Feet as agreed upon between the supplier and purchaser.
- Squareness Tolerance:  
The inside of the precast concrete component shall be square as determined by diagonal measurements. The difference between such measurements shall not exceed the following:  
Measured Length: Allowable Difference  
0 to 10 Feet 1/2"  
10 to 20 Feet 3/4"  
20 Feet and over as agreed upon between the supplier and purchaser.



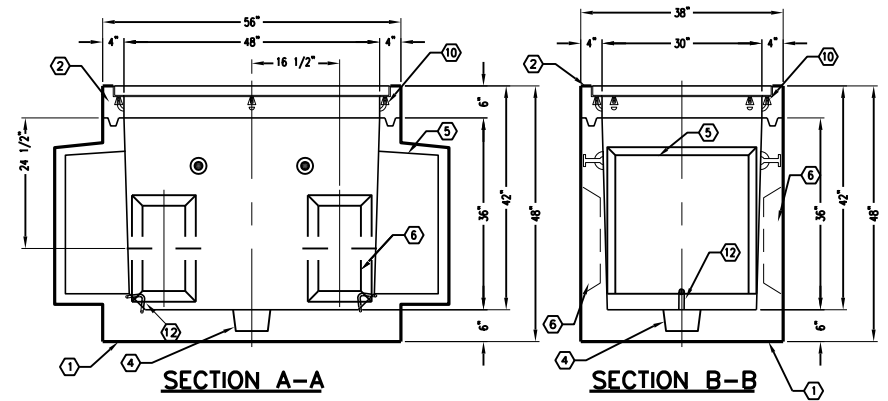
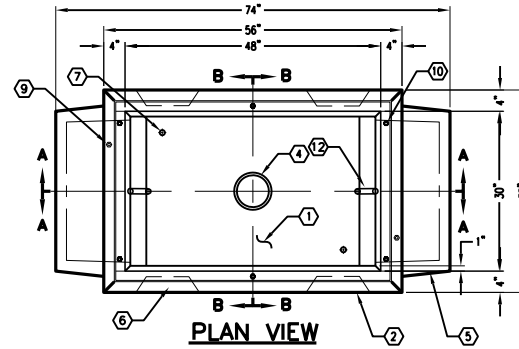
MINIMUM EXCAVATION SIZE:  
4'-2" x 7'-2" x DEPTH REQD.

**K3048-DP42-16**

PER ANAHEIM SPECS. 1600-3A 03-01-02

**JENSEN**  
PRECAST

AUTOCAD REL. 14



**JENSEN**  
PRECAST

#	DATE	DESCRIPTION	BY

**K3048-DP42-16**

PER ANAHEIM SPECS. 1600-3A 03-01-02