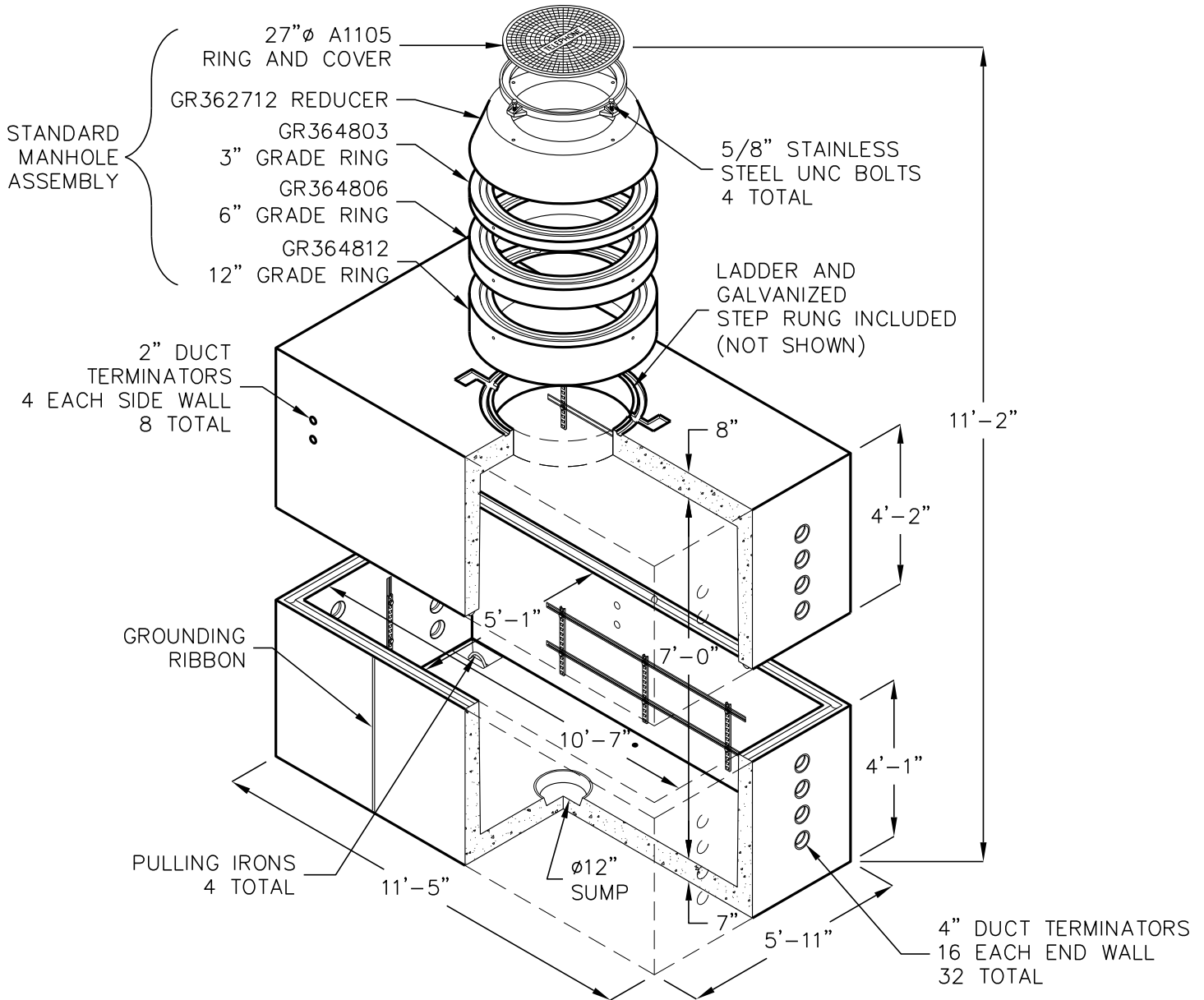


CENTURYLINK 650 MANHOLE

5'-0"x10'-6"x7'-0"
(NOMINAL INSIDE DIMENSIONS)
MODEL CL650-2



DESIGN LOAD: H-20 TRAFFIC WITH 1.08 TO 4.0 FEET OF EARTH COVER.

ALL FEATURES PER CURRENT CENTURYLINK SPECIFICATIONS.
CABLE RACKING PROVIDED WITH EACH MANHOLE FOR FIELD INSTALLATION.

FOR COMPLETE DESIGN AND PRODUCT INFORMATION CONTACT JENSEN PRECAST.

Jensen Precast reserves the right to make changes to product design and/or dimensions without notice. Please contact Jensen Precast whenever necessary for confirmation or advice on product design.

