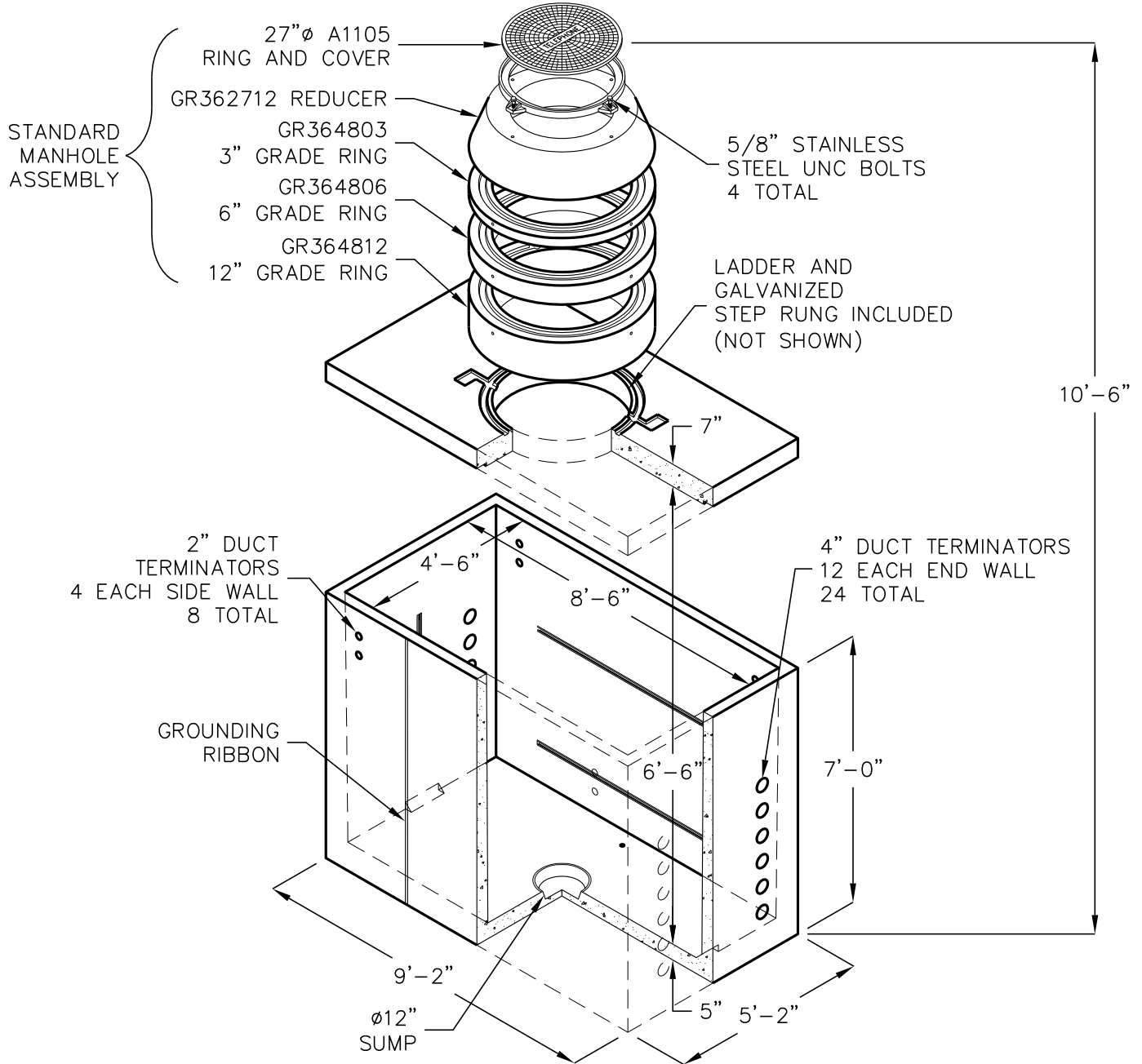


# CENTURYLINK 510 MANHOLE

**4'-6" x 8'-6" x 6'-6"**

(NOMINAL INSIDE DIMENSIONS)

**MODEL CL510**



DESIGN LOAD: H-20 TRAFFIC WITH 13 INCHES TO 3 FEET SOIL COVER TO TOP OF COVER SLAB. WATER TABLE BELOW BASE OF VAULT.

ALL FEATURES PER CURRENT CENTURYLINK SPECIFICATIONS.  
CABLE RACKING PROVIDED WITH EACH MANHOLE FOR FIELD INSTALLATION.

FOR COMPLETE DESIGN AND PRODUCT INFORMATION CONTACT JENSEN PRECAST.