

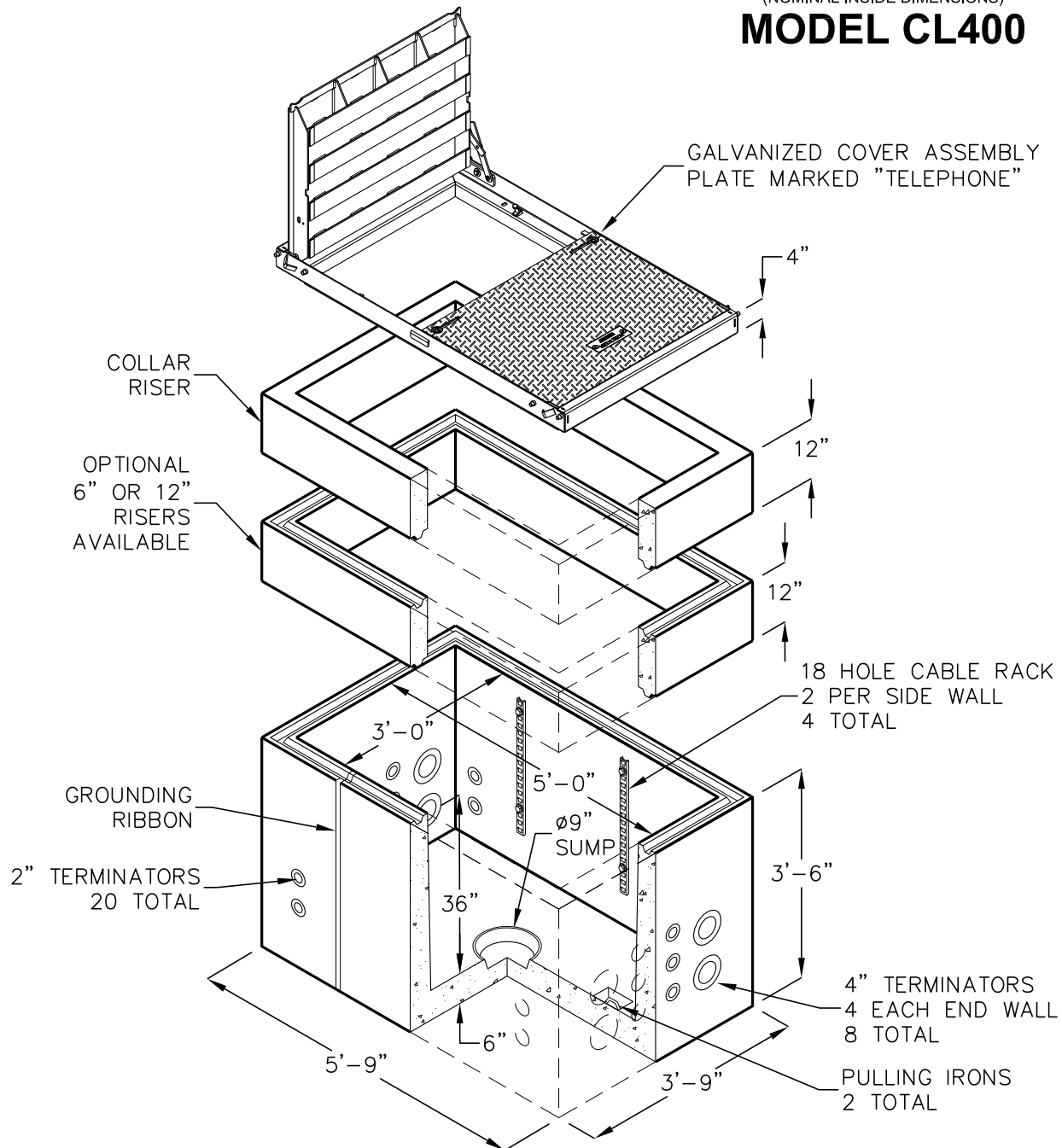
CENTURYLINK 400

PULLBOX

36"x60"x48"

(NOMINAL INSIDE DIMENSIONS)

MODEL CL400



DESIGN LOAD: INCIDENTAL H-20 FOR OCCASIONAL OFF-STREET TRAFFIC WITH INSIDE FLOOR AT 5.00 FEET MAXIMUM BELOW FINISHED GRADE. WATER TABLE ASSUMED BELOW BOTTOM OF STRUCTURE

ALL FEATURES PER CURRENT CENTURYLINK SPECIFICATIONS.
CABLE RACKING PROVIDED WITH EACH MANHOLE FOR FIELD INSTALLATION.

FOR COMPLETE DESIGN AND PRODUCT INFORMATION CONTACT JENSEN PRECAST.

Jensen Precast reserves the right to make changes to product design and/or dimensions without notice. Please contact Jensen Precast whenever necessary for confirmation or advice on product design.