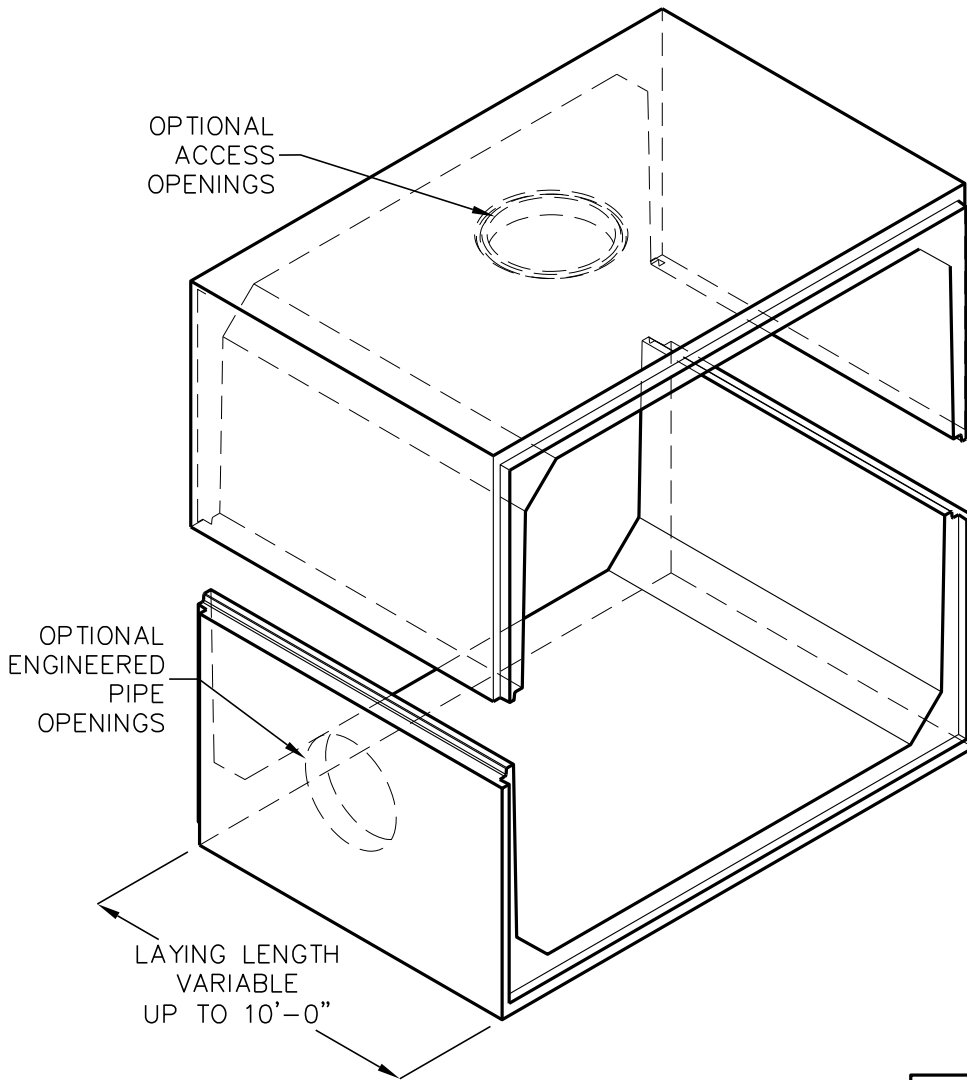
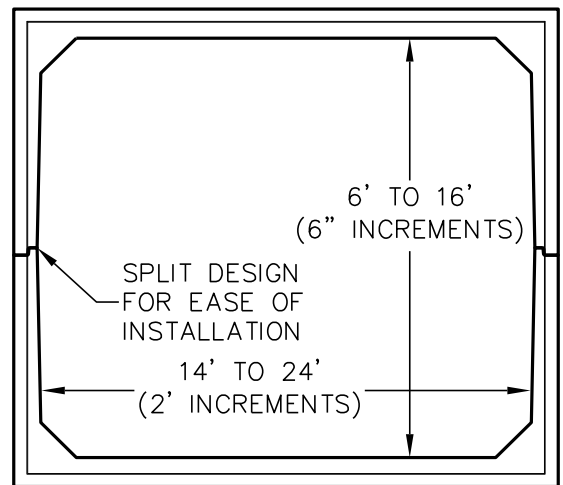
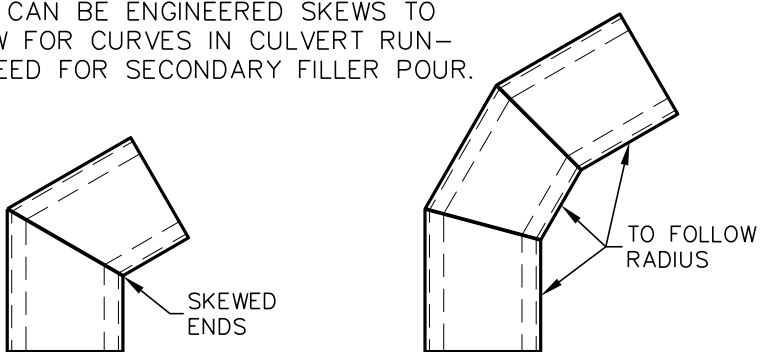


SEGMENTAL BOX CULVERT

14' TO 24' SPANS
TYPE 2



ENDS CAN BE ENGINEERED SKEWS TO ALLOW FOR CURVES IN CULVERT RUN—NO NEED FOR SECONDARY FILLER POUR.



STANDARD DESIGNS AVAILABLE MEETING ASTM C1786 HL-93 OR AASHTO HS20 IN ACCORDANCE WITH AASHTO SPECIFICATIONS.

DESIGNS BASED ON SPECIAL LOADING OR DEPTHS OF BURY ARE AVAILABLE ON REQUEST. CUSTOM PIPE HOLES, ACCESS OPENINGS, AND SKEWED SECTIONS ARE AVAILABLE. STANDARD HEIGHTS AVAILABLE IN 6" INCREMENTS. CUSTOM HEIGHTS ARE AVAILABLE.

FOR COMPLETE DESIGN AND PRODUCT INFORMATION CONTACT JENSEN PRECAST.

D

11/17/2015
BOX CULVERTS 14-24-TYPE 2.DWG
©2015

Jensen Precast reserves the right to make changes to product design and/or dimensions without notice. Please contact Jensen Precast whenever necessary for confirmation or advice on product design.

JENSEN
PRECAST EST.1968