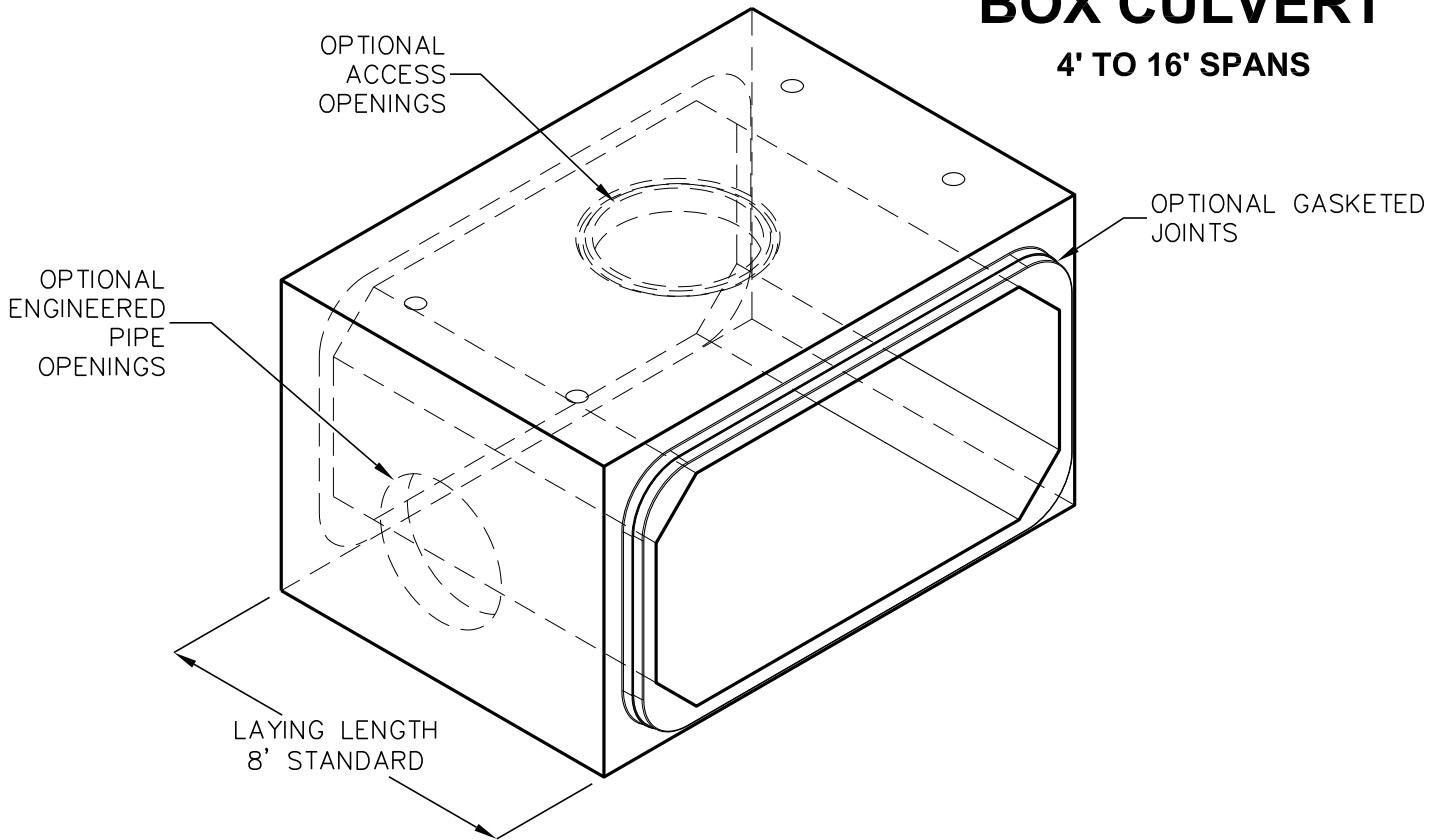
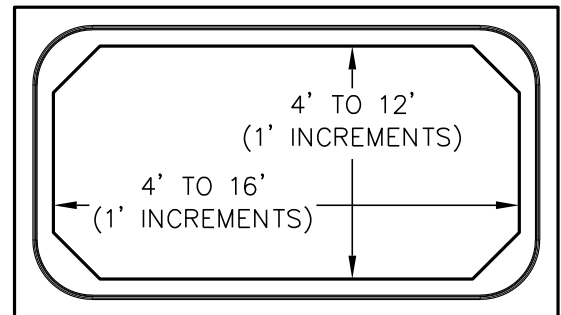
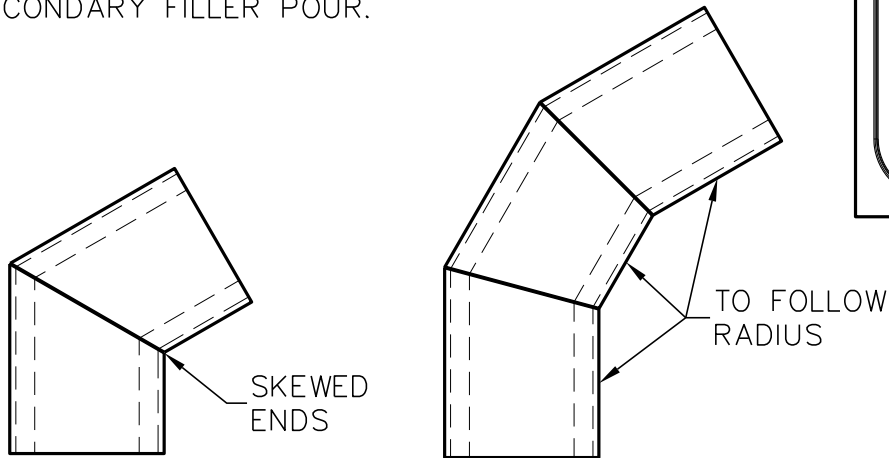


MONOLITHIC BOX CULVERT

4' TO 16' SPANS



ENDS CAN BE ENGINEERED SKEWS TO ALLOW FOR CURVES IN CULVERT RUN- NO NEED FOR SECONDARY FILLER POUR.



DESIGNS AVAILABLE MEETING ASTM C1577, CALTRANS D83A & D83B, AIRCRAFT, RAIL, AND OTHER LOADING CRITERIA.

DESIGNS BASED ON SPECIAL LOADING OR DEPTHS OF BURY ARE AVAILABLE ON REQUEST. CUSTOM PIPE HOLES, ACCESS OPENINGS, AND SKEWED SECTIONS ARE AVAILABLE. STANDARD HEIGHTS AVAILABLE IN ONE FOOT INCREMENTS. CUSTOM HEIGHTS ARE AVAILABLE.

FOR COMPLETE DESIGN AND PRODUCT INFORMATION CONTACT JENSEN PRECAST.

A Jensen Precast reserves the right to make changes to product design and/or dimensions without notice. Please contact Jensen Precast whenever necessary for confirmation or advice on product design.