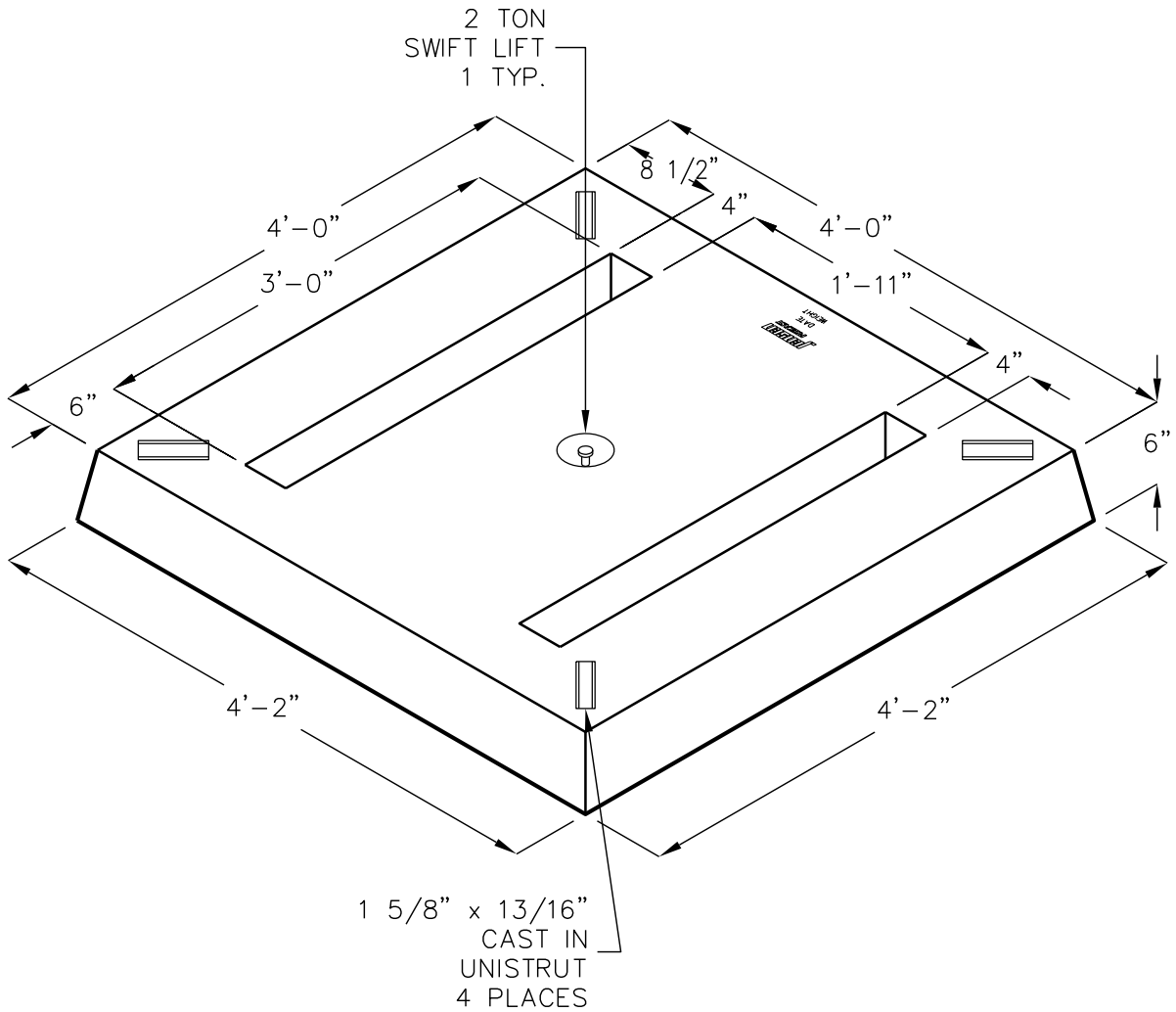


4848
ENCLOSURE PAD
ARIZONA PUBLIC SERVICE
200 AMP DISTRIBUTION CENTER
APPROX. WEIGHT: 1100 LBS.



FOR COMPLETE DESIGN
AND PRODUCT INFORMATION
CONTACT JENSEN PRECAST.