

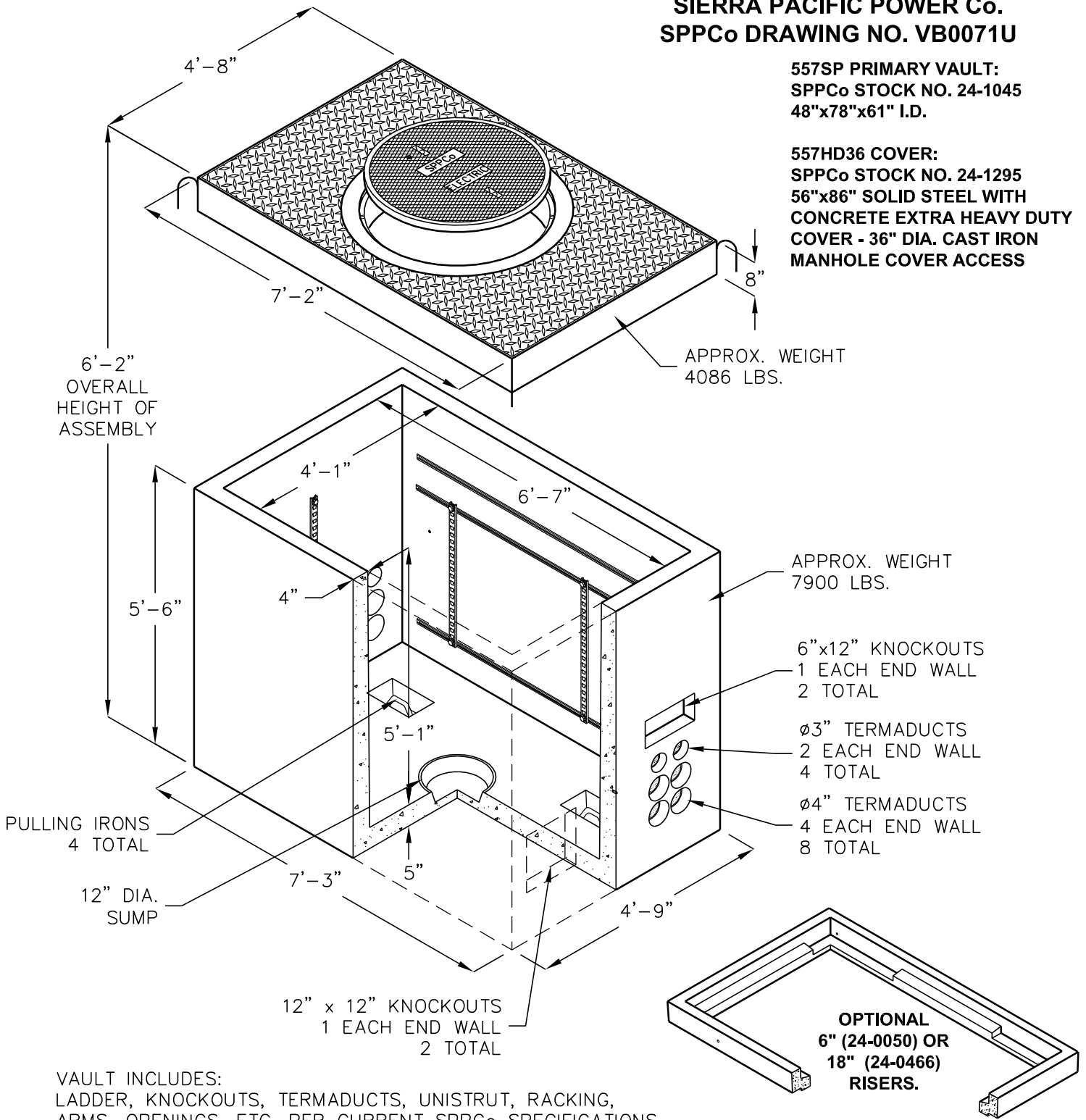


# 557SP WITH COVER B

SIERRA PACIFIC POWER Co.  
SPPCo DRAWING NO. VB0071U

557SP PRIMARY VAULT:  
SPPCo STOCK NO. 24-1045  
48"x78"x61" I.D.

557HD36 COVER:  
SPPCo STOCK NO. 24-1295  
56"x86" SOLID STEEL WITH  
CONCRETE EXTRA HEAVY DUTY  
COVER - 36" DIA. CAST IRON  
MANHOLE COVER ACCESS



VAULT INCLUDES:  
LADDER, KNOCKOUTS, TERMADUCTS, UNISTRUT, RACKING,  
ARMS, OPENINGS, ETC. PER CURRENT SPPCo SPECIFICATIONS.

DESIGN LOAD: H-20 FULL TRAFFIC

FOR COMPLETE DESIGN AND PRODUCT INFORMATION CONTACT JENSEN PRECAST.

Jensen Precast reserves the right to make changes to product design  
and/or dimensions without notice. Please contact Jensen Precast whenever  
necessary for confirmation or advice on product design.

**JENSEN**  
PRECAST