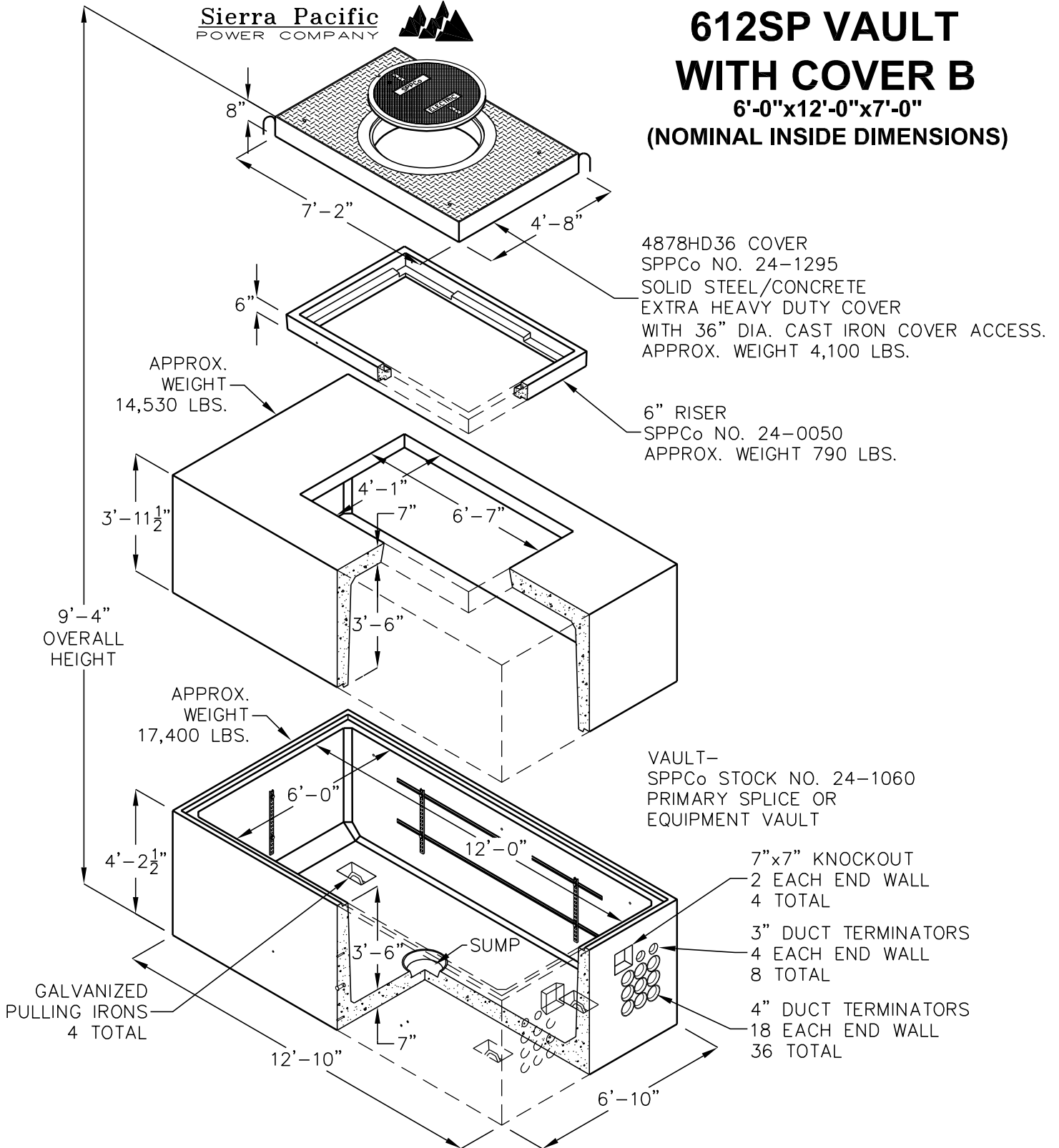




612SP VAULT WITH COVER B

6'-0"x12'-0"x7'-0"
(NOMINAL INSIDE DIMENSIONS)



4878HD36 COVER
SPPCo NO. 24-1295
SOLID STEEL/CONCRETE
EXTRA HEAVY DUTY COVER
WITH 36" DIA. CAST IRON COVER ACCESS.
APPROX. WEIGHT 4,100 LBS.

6" RISER
SPPCo NO. 24-0050
APPROX. WEIGHT 790 LBS.

VAULT-
SPPCo STOCK NO. 24-1060
PRIMARY SPLICE OR
EQUIPMENT VAULT

LADDER, KNOCKOUTS, STRUT AND RACKING, AND DUCT TERMINATORS PER CURRENT SPPCo SPECIFICATIONS.

DESIGN LOAD: H-20 TRAFFIC.

FOR COMPLETE DESIGN AND PRODUCT INFORMATION CONTACT JENSEN PRECAST.

Jensen Precast reserves the right to make changes to product design and/or dimensions without notice. Please contact Jensen Precast whenever necessary for confirmation or advice on product design.

