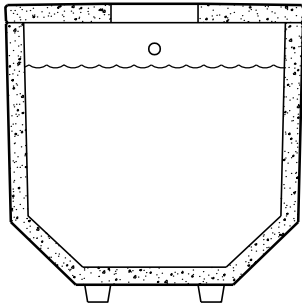
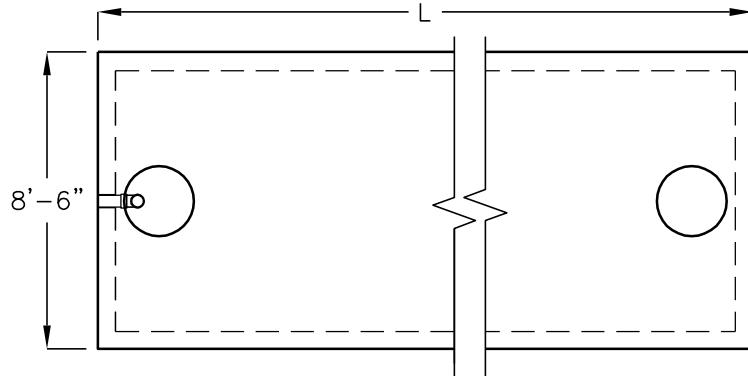


HOLDING TANK

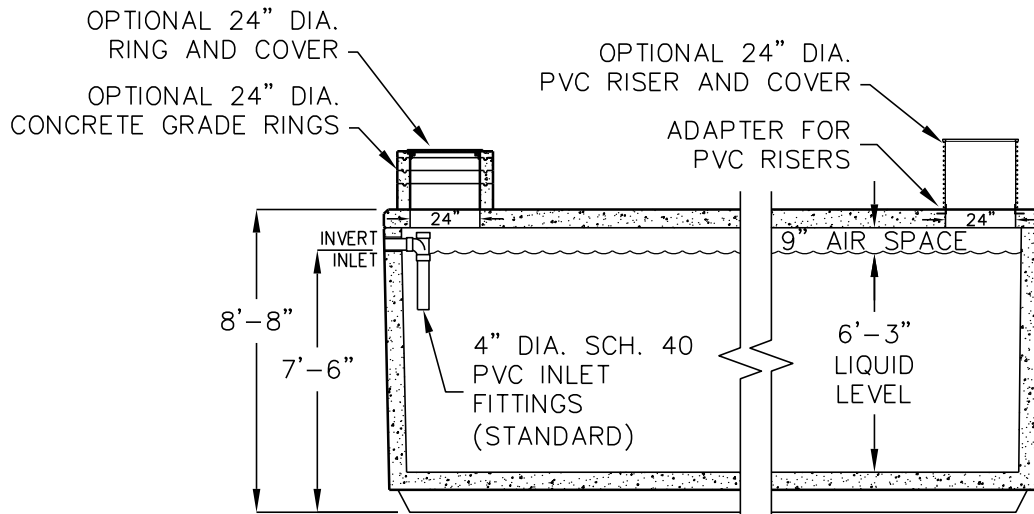
ABOVE OR BELOW GRADE
MODEL 3000MHT - 6500MHT



END VIEW



PLAN VIEW



ELEVATION

| MODEL NUMBER | LIQUID CAPACITY GALLONS | DIMENSION L |
|--------------|-------------------------|-------------|
| KAV3000MHT | 3184 | 11'-0" |
| KAV4000MHT | 4076 | 13'-9" |
| KAV5000MHT | 5293 | 17'-6" |
| KAV6500MHT | 6510 | 21'-3" |

DESIGN LOAD: H-20 TRAFFIC.

NOTE: NOT RECOMMENDED FOR POTABLE WATER. NO WARRANTIES EXPRESSED OR IMPLIED FOR MERCHANTABILITY OR FITNESS FOR ANY PARTICULAR PURPOSE.

FOR COMPLETE DESIGN AND PRODUCT INFORMATION CONTACT JENSEN PRECAST.